

VL6500 WASH

Date: _____

Type: _____

Firm Name: _____

Project: _____

The VL6500 WASH takes the big picture appeal and stand-out power of the VL6000 Beam and adds full color mixing and a versatile 6-16° beam diffusion. The most distinctive aspect of this fixture is Vari-Lite's iconic Dichro*fusion® radial diffusion system. The distinctive blades bring back a classic look that has been beloved lighting professionals since the days of the legendary VL5 and Series 500 luminaires. With its CYM+CTO system and fixed color wheels, the VL6500 WASH combines dynamic color effects and crossfades with a broad beam spread, high output and head-turning heritage. From narrow shafts to wide area washes, the VL6500 WASH delivers powerful visual impact—all in glorious Vari-Lite color.



- 50,000+ lumen output wash fixture – high-output wash of a large area with a single fixture from further away.
- Matching large aperture and color control presets as the VL6000 BEAM – get a consistent visual experience when both fixtures are used together.
- Dichro*fusion® blades with variable beam width – vintage styling reminiscent of the legendary VL5. Strong visual element on stage that radiates the beautiful colors created by the VL6500's innovative color system.

- Color control system with 2 static color wheels and full CYM and CTO color mixing – variable color mixing with saturation control, offering numerous vivid and creative color options.
- Extended color range mode – optional color range mode with 0% – 100% – 0% saturation range that moves beyond full saturation back to open. Offers ability to easily create split colors in the beam for creative color effects, both in air and on the Dichro*fusion blades.

For detailed product information, please refer to the Product Guide at <https://vari-lite.s3.eu-west-1.amazonaws.com/graphics/technical/dimensions/VL6500-WASH-dimensions.png>



VARI*RITE

Specifications

Due to continuous improvements and innovations, specifications may change without notice.

Source

LAMP	PHILIPS MSR Gold PGJX50
Source Max Power Consumption	1,500 W
Source CCT	6500 K / 7000 K, depending on lamp
Dimming	Mechanical glass Wheel
Dimmer Curves	Square Law (Default), Linear, S -Curve
Dimmer Control Option	Dimmer Snap On/Off On reduces auto dimmer smoothing
Tungsten Fade	Selectable on/off
Strobe Speed	0 - 30Hz
Strobe Modes	Continuous, Random, Random Sync

Optical Performance

Lens Size	356 mm (14.0 in)
Beam Angle	6 - 30° (diffusion)
Output Lumens	50000
Output CCT	6300 or 7000 K (Lamp specific)
CRI RA	84

Color System

Subtractive Color Mixing	CMY Glass Wheels
Color Mixing Control	CMY 8-bit
Color Mixing Control Option 1	Color Snap On/Off Reverse spin color wheel for fast color snap 0-100%
Color Mixing Control Option 1	Extended Color Wheel Control
Variable CTO	6500/7000 to 3200 K
Fixed Color Wheel	6 Colors + Open
Fixed Color Wheel	6 Color + Open

Electrical

Max output Power Consumption	2,140 W
Power Connection	Neutrik TrueOne - Power in only Power cable not included - input connector only
Input Voltage	200-240 VAC, 50 / 60 Hz

Data

Supported Protocols	DMX512-A (RDM)
DMX Modes	
16-Bit	20 Channels
Data Connections	5 - Pin XLR Input and Thru, USB (Diagnostics - Firmware)
Manual Preset Mode	Cloud Search mode

Noise Level / Fan Control

Cooling System Type	Forced Air
---------------------	------------

Movement

Pan Angle	540°
Pan Speed	3 s
Tilt Angle	208°
Tilt Speed	3 s

Mounting

Hanging Type	2 x VL Hook Rails
Fixture mounting/Hanging orientation	Hanging - Floor - Side *See user manual for side hang restrictions
Secondary Safety Wire Point	1 x Safety point located on underside of upper enclosure Safety Wire not included

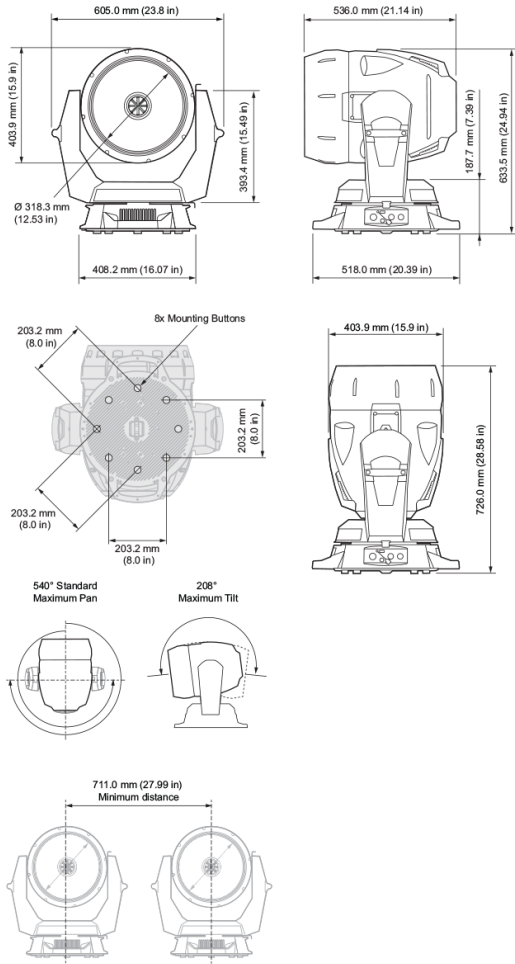
Photometrics and IES Files

Narrow @ 5 m / 16.4 ft	176,140 lux (16,363 fc)
Wide @ 5 m / 16.4 ft	12,700 lux (1,179 fc)
Narrow @ 10 m / 32.8 ft	44,025 lux (4,090 fc)
Wide @ 10 m / 32.8 ft	3,175 lux (295 fc)

For IES files and photometric reports, please refer to the product page:

<https://vari-lite.s3.eu-west-1.amazonaws.com/graphics/technical/dimensions/VL6500-WASH-dimensions.png>

Dimensions



Physical

Construction	Superstructure made of Aluminum, and steel metal plates, Covers self-extinguishing fire retardant ABS PC (V0 class)
IP Rating	IP20
Standard Finish	Black
Dimensions	605 x 726 x 536 mm (24.0 x 29.0 x 21.0 in)
Fixture Weight	30.0 kg (66.0 lb)
Operating Temperature	-20-50°C (-4-122°F)

Certification and Safety

Approbations	CE, ETL, UL, FCC CSA, RoHS, ISO 9001
--------------	--------------------------------------

Luminaire and Accessories

Product type	Order Code
VL6500 WASH	20.9708.4001
VL6500 WASH (Includes 1500W Short Arc Lamp, rails, and power input connector.)	
Accessories	
GT Truss Rail	22.9708.0835
VL Hanging Rail, 1 x GT Truss drop rail, c/w VL1600, VL4000, VL2600, VLZ series and VL10,	



© 2023 Signify Holding. All rights reserved. All trademarks are owned by Signify Holding or their respective owners. The information provided herein is subject to change, without notice. Signify does not give any representation or warranty as to the accuracy or completeness of the information included herein and shall not be liable for any action in reliance thereon. The information presented in this document is not intended as any commercial offer and does not form part of any quotation or contract, unless otherwise agreed by Signify. Data subject to change.

07/18/2023

Vari-Lite
<https://vari-lite.s3.eu-west-1.amazonaws.com/graphics/technical/dimensions/VL6500-WASH-dimensions.png>