



VARI***LITE**

VL6000 BEAM

QUICKSTART GUIDE

INTRODUCTION

1. ABOUT THIS GUIDE

This Quick Start Guide is intended for a knowledgeable user to unpack, install, and use the VL6000 BEAM in a short time period. For the complete manual in PDF format, please visit our web site at: www.vari-lite.com. and click the user manual download link on the product downloads page. The complete manual provides you all information related to accessories, menu structures, DMX channel mapping/modes, and care for your new luminaire.

Read this manual in its entirety before operating luminaire. Keep this guide for future reference.



WARNING! It is important to read ALL accompanying safety and installation instructions to avoid damage to the product and potential injury to yourself or others. **AVERTISSEMENT :** Il est important de lire toutes les instructions de sécurité et d'installation d'accompagnement pour éviter d'endommager le produit et les risques de blessures à vous-même ou les autres.

Notes:

- For complete product description, features, and specifications, refer to product datasheet on the Vari-Lite web site at www.vari-lite.com.
- For power requirements, refer to “Current vs. Voltage” on page 14.
- VL6000 BEAMS accept glass gobos only. Use of metal gobos will void the luminaire’s warranty.



2. ADDITIONAL DOCUMENTATION

For more information on installing DMX512 control systems, the following publication is available for purchase from the United States Institute for Theatre Technology (USITT), “Recommended Practice for DMX512: A Guide for Users and Installers, 2nd edition” (ISBN: 9780955703522). USITT Contact Information:

USITT
 315 South Crouse Avenue, Suite 200
 Syracuse, New York 13210-1844 USA
 Phone: 800-938-7488 or +1-315-463-6463
 Fax: 866-398-7488 or +1-315-463-6525
 website: www.usitt.org

3. CUSTOMER SERVICE

Our Goal

At Vari-Lite, we are committed to providing you the highest quality in customer service. Our comprehensive resources are available to help your business succeed and ensure you get the full benefit of being a Vari-Lite customer. Whether your needs are telephone troubleshooting assistance, product training or technical service, our full-time staff of experienced professionals are on-hand to provide support.

How to Reach Us

For assistance in your area, call the dealer from which your product was purchased. Alternatively, contact an Authorized Service Center or the Vari-Lite Customer Service Department, 7am - 6pm CST Monday through Friday, at the following:

phone: 1-877-VARI-LITE (1-877-827-4548) or +1-214-647-7880
 e-mail: entertainment.service@signify.com

NOTE: Performing maintenance procedures may void the product warranty. Refer to the Vari-Lite Limited Warranty card included in the product shipping package for more information. For all service and maintenance issues, please contact your local Authorized Dealer or Service Center.

Additional Resources

For additional resources and documentation on this product, please visit our website at www.vari-lite.com and follow the Support link.

Document Number: 02.9708.0001_D Version as of: 25 April 2023

VL6000 BEAM Quick Start Guide

©2023 Signify Holdings. All rights reserved.

COMPLIANCE & SAFETY NOTICES

1. COMPLIANCE

SAFETY STANDARDS

We, Vari-Lite, 10911 Petal Street, Dallas, Texas 75238 declare under our responsibility for the products contained herein are in conformity with the essential requirements of the following European Directives and Safety standards for United States and Canada.

EN 60589-2-17:1989+A2:1991 used in conjunction with 60598-1:2008/A11:2009

UL 1573 Issue: 2003/05/29 Ed: 4 Rev: 2016/12/22

CSA C22.2#166:2015 Ed.2

EMC STANDARDS

This equipment has been tested and found to comply with the limits for a Class B digital device pursuant to Part 15 of FCC Rules. These limits are designed to provide reasonable protection against harmful interference when this equipment is operated in a commercial environment. This equipment generates, uses, and can radiate radio frequency energy and, if not installed and used in accordance with Vari-Lite system, service, and safety guidelines, may cause harmful interference to radio communications.

FCC 47CFR 15:2016

CENELEC EN 55015:2006/12/01

CES-005:2007/02/01

2. SAFETY NOTICE

It is extremely important to read ALL safety information and instructions provided in this manual and any accompanying documentation before installing and operating the products described herein. Heed all cautions and warnings during installation and use of this product.

Safety symbols used throughout this manual are as follows:



CAUTION: advising of potential damage to product.



WARNING! advising of potential injury or death to persons.

GENERAL INFORMATION PERTAINING TO PROTECTION AGAINST ELECTRICAL SHOCK, FIRE, EXPOSURE TO EXCESSIVE UV RADIATION, AND INJURY TO PERSONS CAN BE FOUND BELOW.

WARNING:

INSTRUCTIONS FOR CONTINUED PROTECTION AGAINST FIRE

1. Vari-Lite luminaires have been designed for use with specific lamp types. The VL6000 BEAM requires a certain type of lamp (see **“Replacement Items/Accessories”** on page 8 for all lamp types). Installing another type or unapproved lamp may be hazardous.
2. Luminaires may be mounted on any type of surface as long as mounting instructions are followed. See instructions detailed in this manual.
3. Note distance requirement from combustible materials or illuminated objects for Vari-Lite luminaires.

WARNING:

INSTRUCTIONS FOR CONTINUED PROTECTION AGAINST ELECTRICAL SHOCK

1. Vari-Lite luminaires are designed for dry locations only. Exposure to rain or moisture may damage luminaire.
2. Disconnect power before servicing any Vari-Lite equipment.
3. Servicing to be performed by qualified personnel only.

**WARNING:
INSTRUCTIONS FOR CONTINUED PROTECTION AGAINST EXCESSIVE EXPOSURE TO UV RADIATION**

1. Many Vari-Lite luminaires use a lamp that produces UV radiation. DO NOT look directly at lamp.
2. It is hazardous to operate luminaires without lens or shield. Shields, lenses, or ultraviolet screens shall be changed if they have become visibly damaged to such an extent that their effectiveness is impaired. For example, by cracks or deep scratches. Replace any cracked or protective shields.



**WARNING:
INSTRUCTIONS FOR PROTECTION AGAINST INJURY TO PERSONS**

1. Exterior surfaces of the luminaire will be hot during operation. Use appropriate safety equipment (gloves, eye protection, etc.) when handling and adjusting hot equipment and components.
2. Luminaires will have a hot lamp when operating. Disconnect power and allow lamp to cool before replacing.
3. Arc lamps emit ultraviolet radiation which can cause serious skin burn and eye inflammation. Additionally, arc lamps operate under high pressure at very high temperatures. Should the lamp break, there can exist a danger of personal injury and/or fire from broken lamp particles being discharged.
4. Wear eye protection when relamping.
5. Appropriate safety equipment (gloves, eye protection) should be used when handling damaged lamps.
6. If lamp is touched with bare hands, clean lamp with denatured alcohol and wipe with lint-free cloth before installing or powering up the luminaire.
7. The lamp shall be changed if it has become damaged or thermally deformed.

**WARNING:
RF INTERFERENCE**

This is a Class A product. In a domestic environment this product may cause radio interference, in which case, the user may be required to take adequate measures.

3. NOTES DE SÉCURITÉ

Avant de procéder à l'installation des produits décrits dans ce guide et de les mettre en marche, il est extrêmement important de lire TOUS les renseignements et TOUTES les directives de sécurité contenues dans ce guide ainsi que toute documentation jointe. Tenir compte de tous les avertissements et suivre toutes les précautions pendant l'installation et l'utilisation de cet appareil.

Les symboles de sécurité utilisés dans ce guide sont les suivants:



ATTENTION: Ce symbole annonce que l'appareil risque d'être endommagé.



AVERTISSEMENT! Ce symbole annonce qu'il y a risque d'accident grave ou même fatal.

CETTE SECTION CONTIENT DES INFORMATIONS GÉNÉRALES POUR SE PROTÉGER CONTRE LES DÉCHARGES ÉLECTRIQUES, LES INCENDIES, L'EXPOSITION EXCESSIVE AUX RAYONS UV ET TOUT AUTRE ACCIDENT POUVANT ENTRAÎNER DES BLESSURES.

**AVERTISSEMENT:
DIRECTIVES POUR SE PROTÉGER CONTRE LES INCENDIES**

1. Les luminaires Vari-Lite ont été conçus pour être utilisés uniquement avec certaines type de lampes. Vérifier le type de lampe avant de remplacer les lampes. L'installation d'un autre type de lampe peut poser un danger.
2. Les luminaires peuvent être fixés sur tout type de surface tant que les directives de montage sont respectées. Voir les explications détaillées dans ce guide.
3. Vérifier la distance à respecter entre les matériaux combustibles ou les objets illuminés et les luminaires Vari-Lite.

**AVERTISSEMENT:
DIRECTIVES POUR SE PROTÉGER CONTRE LES DÉCHARGES ÉLECTRIQUES**

1. Les luminaires Vari-Lite sont conçus pour une utilisation au sec uniquement. Une exposition à la pluie et à l'humidité risque d'endommager le luminaire.
2. Débrancher l'appareil avant de procéder à la révision de tout matériel Vari-Lite.

3. Les révisions doivent être effectuées uniquement par des personnes qualifiées.

**AVERTISSEMENT:
DIRECTIVES POUR SE PROTÉGER CONTRE UNE EXPOSITION EXCESSIVE AUX RAYONS UV**

1. Plusieurs luminaires Vari-Lite utilisent une lampe qui produit des rayons UV. NE PAS fixer son regard sur la lampe.
2. L'utilisation des luminaires sans lentille ou blindage pose des risques. Tous blindages, lentilles ou écrans ultraviolet visiblement endommagés au point que leur efficacité en est affectée doivent être remplacés, par exemple s'il y a des fissures ou de profondes rayures.

**AVERTISSEMENT:
DIRECTIVES POUR SE PROTÉGER CONTRE LES ACCIDENTS POUVANT ENTRAÎNER DES BLESSURES**

1. Les surfaces externes du luminaire deviennent brûlantes quand l'appareil est en marche. Pour manœuvrer ou ajuster des appareils brûlants et leurs composants, se protéger suffisamment (gants, protection pour les yeux, etc.).
2. La lampe du luminaire est brûlante lorsqu'il est en marche. Débrancher le courant et attendre que la lampe ait refroidi avant de la remplacer.
3. Les lampes à arc émettent des rayons ultraviolets pouvant causer de graves brûlures sur la peau et une inflammation des yeux. De plus, les lampes à arc fonctionnent sous haute tension à de très hautes températures. Si la lampe se casse, les particules de la lampe cassée peuvent causer blessures et/ou incendie en s'éparpillant.
4. Se protéger les yeux pour remplacer la lampe.
5. Utiliser des appareils de protection appropriés (gants, protection des yeux) pour manier des lampes endommagées.
6. Si la lampe a été touchée avec des mains nues, la nettoyer avec de l'alcool dénaturé et l'essuyer avec un chiffon non-pelucreux avant d'installer ou de brancher le luminaire.
7. Si la lampe a été endommagée ou a reçu une déformation thermique, elle doit être remplacée.

**AVERTISSEMENT:
INTERFÉRENCE RF**

Cet appareil est de Classe A. Dans un environnement domestique, cet appareil peut causer des interférences radio, et si c'est le cas, l'utilisateur peut avoir à prendre des mesures adéquates.

4. OTHER

Operational Temperature / Température de fonctionnement

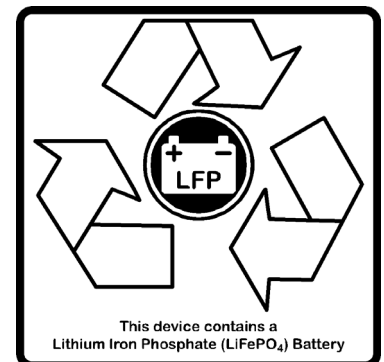
- The VL6000 BEAM has one operational mode. Refer to [Table 1, "VL6000 BEAM Environmental Operational Temperatures"](#) for information on environment temperature ranges associated with this mode.
- Le VL6000 BEAM a un mode opérationnel. Reportez-vous à [Table 1, "VL6000 BEAM Environmental Operational Temperatures"](#) pour des informations sur les plages de température environnementales associées à ce mode.

TABLE 1: VL6000 BEAM ENVIRONMENTAL OPERATIONAL TEMPERATURES

| Minimum to Maximum Environmental Temperature | |
|--|-----------|
| °C | °F |
| -20 to 50 | -4 to 122 |

Battery Information / Informations sur la batterie

- This unit has a battery. Warning: Caution risk of explosion if battery is replaced by an incorrect type. Dispose of used batteries according to the instructions.
- Cet appareil dispose d'une batterie. Avertissement: Attention risque d'explosion si la batterie de remplacement par un type incorrect. Jetez les piles usage selon les instructions.



ABOUT THE VL6000 BEAM

1. INCLUDED ITEMS

The following illustration shows all items included with the luminaire:

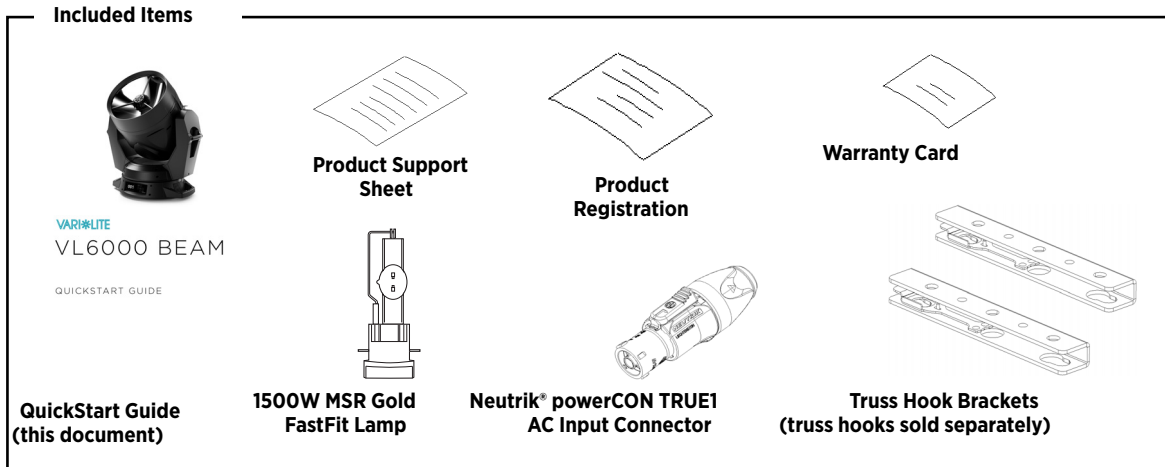


FIGURE 1: VL6000 BEAM INCLUDED ITEMS

2. REPLACEMENT ITEMS/ACCESSORIES

The following optional and/or replacement items can be ordered directly from your Authorized Vari-Lite Dealer. When ordering, please order by the Vari-Lite part number.

| Vari-Lite Part No. | Accessory |
|--------------------|---|
| PCTIBE | AC Input Cable, Neutrik® powerCON® True1 with Bare End (no connector), 1 Meter |
| PCIGTL208 | AC Input Cable, Neutrik® powerCON® True1 with Twist Lock (Male), 250V, 1 Meter |
| PCTIGP | AC Input Cable, Neutrik® powerCON® True1 with Stage Pin (Male), 1 Meter |
| PEGASUS | Luminaire Programming Software |
| 22.9620.0194 | Safety Cable Assembly |
| 25.9661.0057 | DMX Termination Connector Assembly |
| 55.6840.0001 | Truss Hook, Mega-Clamp, Round and Square |
| 55.6841.0001 | Truss Hook, Mega-Claw for 2" Round Tube |
| 71.9708.1500 | 1500W Lamp, Philips MSR Gold 1500 FastFit* |

NOTE: For approved lamp types, see the latest version of Vari-Lite technical notice TN-248 in the product downloads section on the Vari-Lite web site, www.vari-lite.com.

NOTE: Please check with Vari-Lite or Authorized Dealer for availability on accessories.

CONNECTING POWER AND DATA

1. CONNECTING POWER

The luminaire requires standard AC power distribution from 200-240 VAC, 50/60 Hz. Current required depends on the AC supply voltage and product model. Refer to "[Current vs. Voltage](#)" on page 7 for all models covered in this manual.

NOTE: The mating Neutrik® powerCON® True1 connector is supplied; however, you will need to purchase or construct a cable appropriate for your application. Available power input cables is found in "[Replacement Items/Accessories](#)" on page 8.

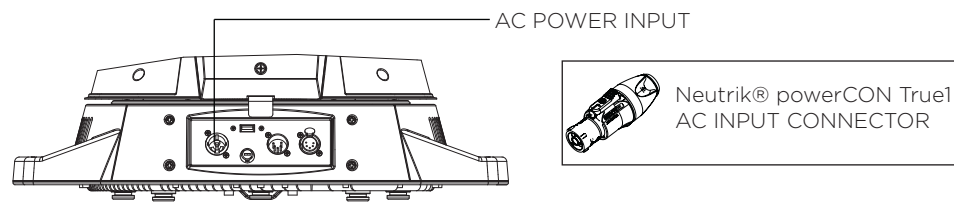


FIGURE 2: POWER CONNECTOR

Depending on the application, the luminaire's AC input cable may require a different connector. If required, install a new connector meeting your requirements using the following wire color code reference:

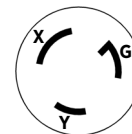
| WIRE* | CONNECTION |
|---------------------------------------|------------|
| Green/Yellow | AC Ground |
| Blue | AC Neutral |
| Brown | AC Line |
| * International (Harmonized) Standard | |



WARNING! DO NOT connect to three-phase service in countries with 240 volt power. **AVERTISSEMENT:** NE PAS se connecter au service en trois phases dans les pays avec puissance de 240 volts.

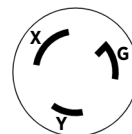
For single-phase power at 240 volts RMS:

| CONNECTION | PIN |
|----------------|-----|
| AC Neutral | X |
| AC Line | Y |
| Ground (Earth) | G |



For three-phase power at 200 volts RMS:

| CONNECTION | PIN |
|----------------|-----|
| Phase 1 | X |
| Phase 2 | Y |
| Ground (Earth) | G |



WARNING! It is not recommended to power any Vari-Lite luminaire from a dimmer - even in 'NONDIM' mode. Dimmer and non-dim modules are not suitable sources of power because their output modifies the AC wave form. This may work for a short time, but will eventually result in power problems, luminaire mis-operation and/or failure and may void the luminaire's warranty. **AVERTISSEMENT:** Il n'est pas recommandé pour alimenter un luminaire Vari-Lite d'un gradateur - même en mode 'NONDIM'. Modules de gradation et non sombres ne sont pas des sources appropriées de pouvoir parce que leur production modifie

la forme d'onde AC. Cela peut fonctionner pendant une courte période, mais finira par entraîner des problèmes d'alimentation, luminaires mauvais fonctionnement et / ou l'échec et peut annuler la garantie de l'appareil.

CURRENT VS. VOLTAGE

Table 2, VL6000 BEAM - Current vs. Voltage (1500W Lamp) provides the luminaire's current draw at specific voltages. Total Luminaire Current is calculated with the lamp on and all motors sequencing.



WARNING! It is the responsibility of the user to adequately protect supply source with a correct size and type circuit breaker and not overload circuits. **AVERTISSEMENT:** Il est de la responsabilité de l'utilisateur de protéger adéquatement la source d'alimentation avec une taille correcte et le disjoncteur de type et surchargez pas les circuits.

| AC VOLTAGE @ 60HZ | TOTAL LUMINAIRE CURRENT (MOTOR + LAMP CURRENT) |
|-------------------|--|
| 200V | 10.5A |
| 210V | 10.1A |
| 220V | 9.7A |
| 230V | 9.3A |
| 240V | 8.9A |

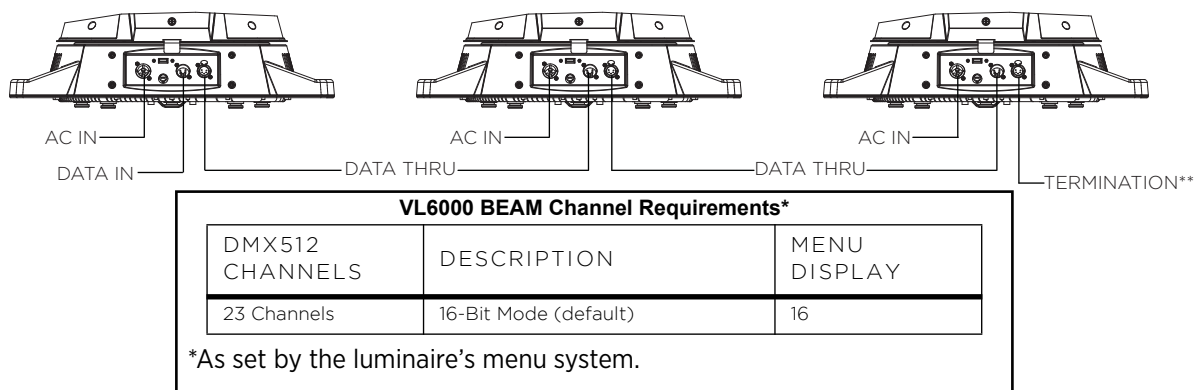
2. CONNECTING DATA

A maximum of 32 luminaires may be connected in any one DMX data link.

NOTE: This maximum limit applies to the luminaire "daisy chain" only. Your system or console may require fewer luminaires on a single data link path. Consult your console documentation for more information.

To connect power and data:

- Step 1. Connect data cable from console to first luminaire in chain at DATA IN connector.
- Step 2. If required, connect additional data cables from DATA THRU connectors to DATA IN connectors of remaining luminaires in link.
- Step 3. At last luminaire in link, install male termination connector at DATA THRU connector. (Luminaires and other devices on the same DMX chain may not function properly without termination.)



**DMX terminator required for last fixture on DMX line.

FIGURE 3: DATA LINK

- Step 4. Connect AC Input Cable connector to power input source.
- Step 5. Dress AC input and data cables and secure them so that they will not interfere with luminaire head and yoke movement.

INSTALLATION PROCEDURES

1. INSTALLING LAMP

In the event the lamp was packed separately during shipment, follow the procedure in this section.



WARNING! Disconnect fixture before relamping. **AVERTISSEMENT :** Déconnectez le projecteur avant que le changement de lampe.



WARNING! Hot Lamp. Luminaire must remain powered on for 5 minutes after dousing lamp. Do not open for 5 minutes after switching off. **AVERTISSEMENT :** Lampe chaude. Le luminaire doit rester en marche pendant 5 minutes après avoir éteindre la lampe. Ne pas ouvrir pendant 5 minutes après la coupure.



WARNING! Risk of exposure to excessive ultraviolet radiation. Do not operate without complete lamp enclosure in place or when lens is damaged. **AVERTISSEMENT :** Risque d'exposition aux rayonnements ultraviolets excessifs. Ne pas faire fonctionner sans le boîtier complet de lampe mis en place ou lorsque l'objectif est endommagé.

NOTE: Wear cotton gloves or other covering while installing lamp. Touching lamp glass with bare fingers will leave oil and may cause the lamp to explode or reduce lamp life. If touched, use isopropyl alcohol and cotton cloth to thoroughly clean glass portion of lamp.

To install lamp:

- Step 1. Ensure power is completely removed from luminaire.
- Step 2. Remove lamp from shipping box.
- Step 3. Set the luminaire head horizontally.
- Step 4. Engage tilt lock to secure luminaire head in position.
- Step 5. At back of luminaire, using #2 Phillips screwdriver, remove lamp socket cover by loosening the two quarter-turn captive screws. Note: lamp socket cover is connected with a safety tether.

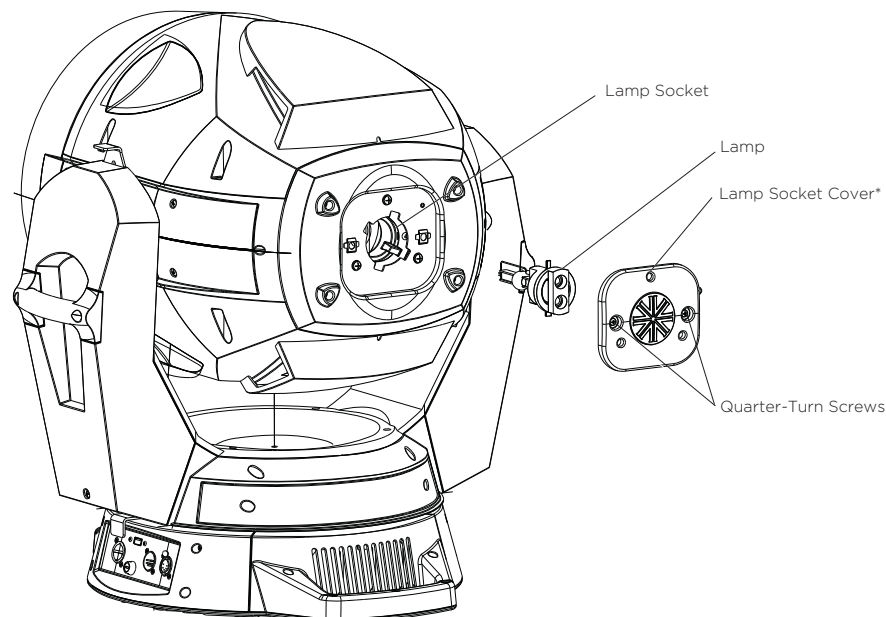


FIGURE 4: LAMP SOCKET COVER REMOVAL

Step 6. As shown in [Figure 5](#), align lamp tabs with lamp socket.

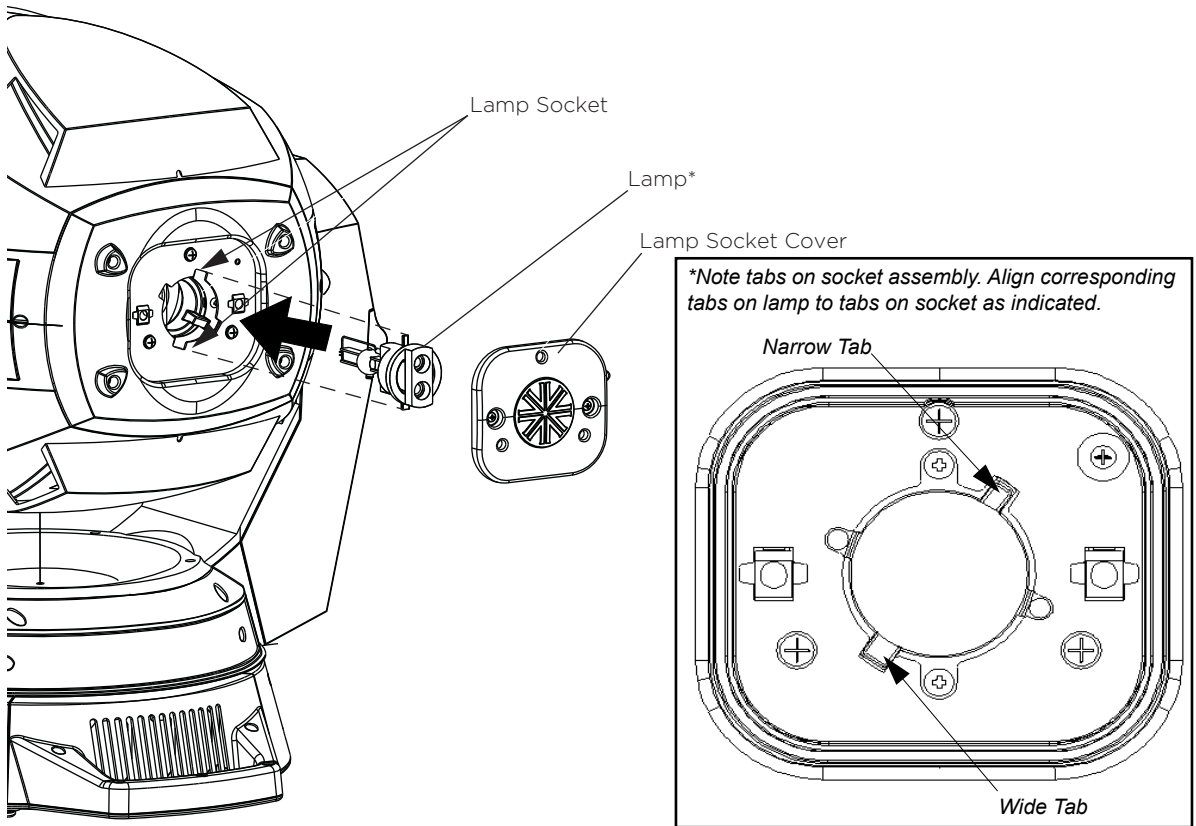


FIGURE 5: LAMP INSTALLATION

Step 7. Install lamp fully into lamp socket, taking care not to touch lamp glass.

Step 8. Turn lamp clockwise to seat lamp into socket. Lamp base should be aligned as illustrated in [Figure 6](#).

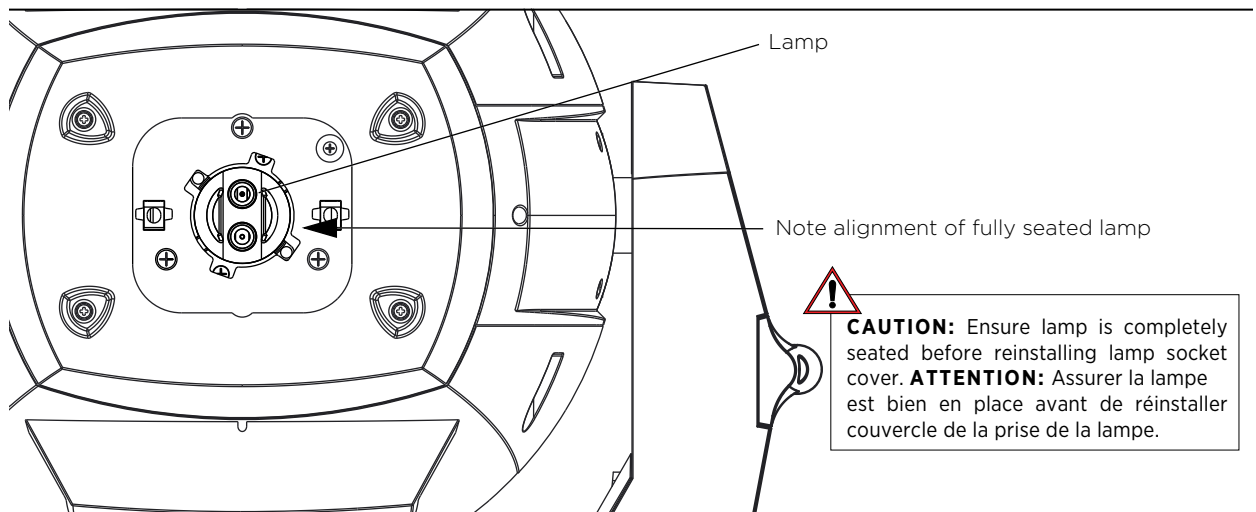


FIGURE 6: INSTALLED LAMP

Step 9. Reinstall lamp socket cover. Make sure safety tether is completely encapsulated within lamp socket cover.

Step 10. Disengage tilt lock to allow luminaire head to move freely.

Step 11. Align lamp as described in ["Align Lamp For Maximum Beam Irradiance"](#) on page 10.

2. ALIGN LAMP FOR MAXIMUM BEAM IRRADIANCE

After a new lamp is installed in the luminaire, it will be necessary to align the lamp to optimize the beam.



WARNING! Back of luminaire and alignment screws will be HOT during lamp operation. Wear gloves and/or use tools to prevent burns. **AVERTISSEMENT:** Retour de luminaires et d'alignement vis sera chaud pendant le fonctionnement de la lampe. Porter des gants et / ou utiliser des outils pour éviter les brûlures.

To align lamp:

- Step 1. Set intensity to 100%.
- Step 2. Position beam on a white wall at a distance of 10 to 20 feet.
- Step 3. Using console or internal luminaire menu controls, focus to a hard edge. Be sure that beam-size iris is completely opened.
- Step 4. Using three alignment screws (as indicated with Red Arrows in [Figure 7](#)) adjust hot spot to center of beam.
- Step 5. Check color uniformity as follows:
 - a. Position 60% magenta filter (Wheel 1) in Beam.
 - b. Verify that beam color is uniform (if lamp is misaligned, color will be concentrated to one side of beam). If color is not uniform, readjust lamp using lamp alignment screws until color is uniform across entire beam field.

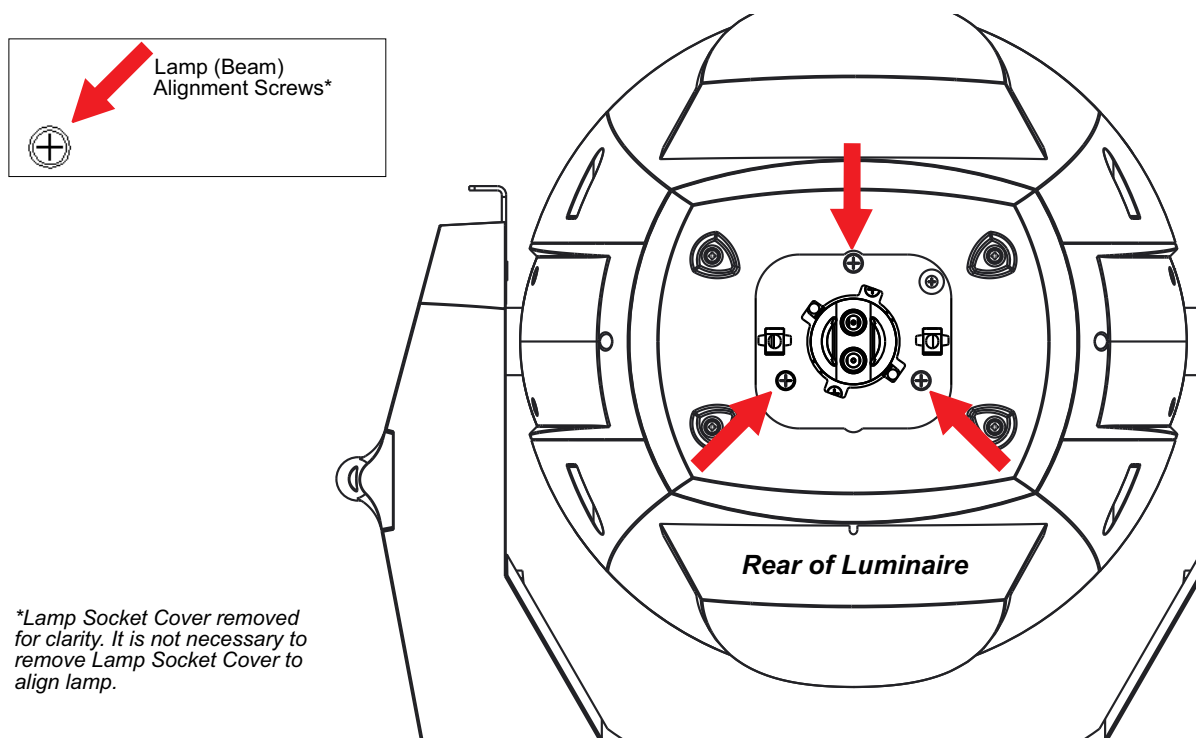
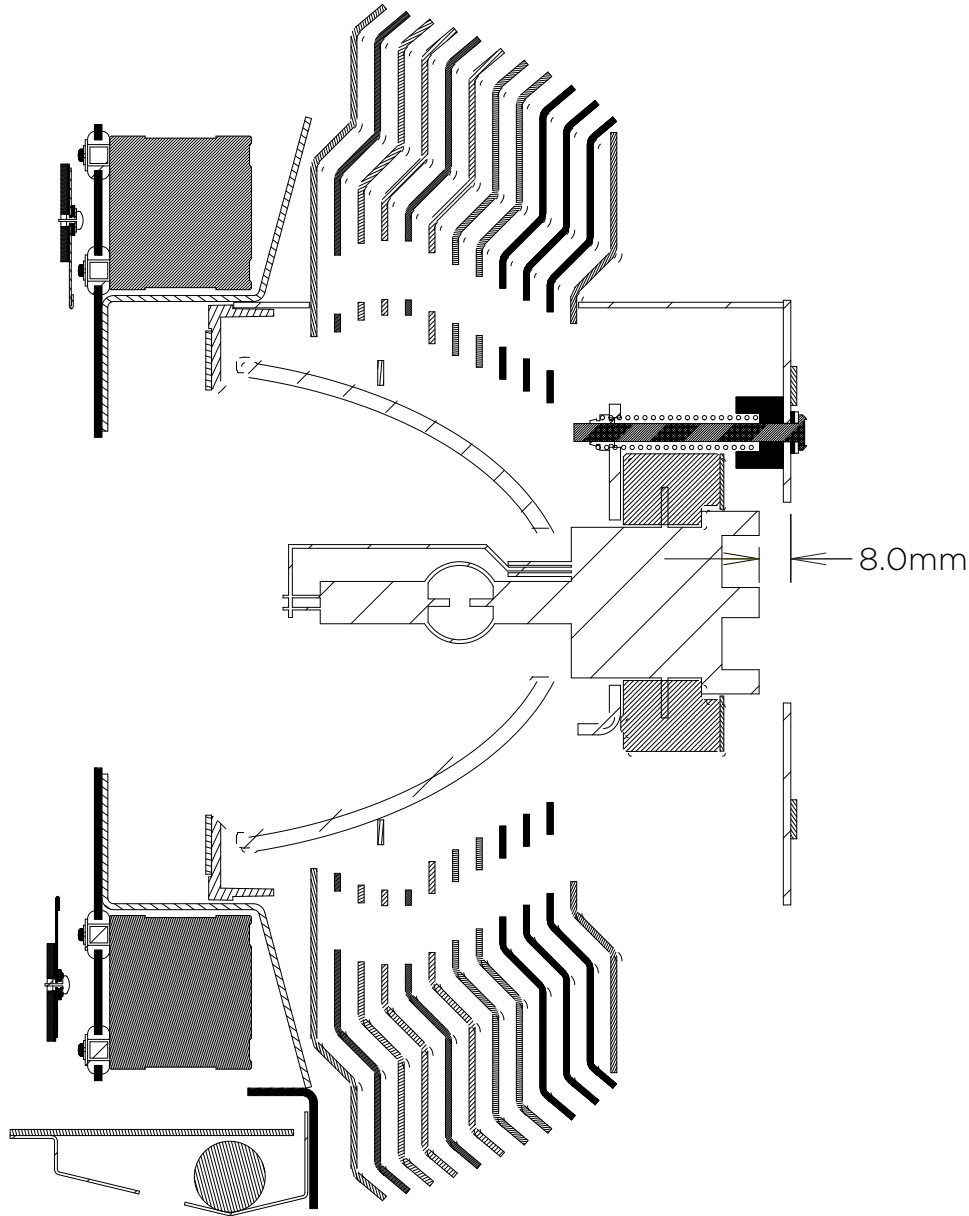


FIGURE 7: LAMP ALIGNMENT SCREWS



CAUTION: To prevent overheating, maintain a distance of 8.0mm between lamp and rear aluminum housing as illustrated in [Figure 8](#). **ATTENTION:** Pour éviter une surchauffe maintenir une distance de 8.0mm entre le lampe et le couvercle arrière comme illustré dans [Figure 8](#).



SECTION SIDE-SIDE

FIGURE 8: LAMP ADJUSTMENT

3. FLOOR MOUNTING THE LUMINAIRE

All luminaires included in this manual are designed to sit directly on its base in a floor installation application. When used in this type of application, be sure to leave enough space around the luminaire to allow proper, uninterrupted airflow for cooling and movement.

4. HANGING THE LUMINAIRE

The Vari-Lite can be hung horizontally or vertically from any structure designed to work with the type of load created by this moving luminaire. Two mounting truss hooks or other mounting hardware are required. Many compatible truss hooks are available from different manufacturers for your particular needs.

A minimum of two hooks per luminaire is required. If mounting method does not use truss hooks, two attachment points, per luminaire, are required.

Install mounting hardware and brackets:

Step 1. Install truss hooks on two provided truss hook brackets as required as shown in Figure 9.

NOTE: Various types of truss hooks can be used. The Mega Claw truss hook (as shown in the example above) as well as many other standard hooks, can be ordered separately.

Step 2. Determine required configuration of bracket installation. Brackets may be installed in many different orientations as shown in Figure 10.

Step 3. While pulling up on locking mechanism release, fit keyed holes onto raised mounting buttons at bottom of enclosure. Slide forward and release locking mechanism to lock in place. Ensure brackets are locked securely.

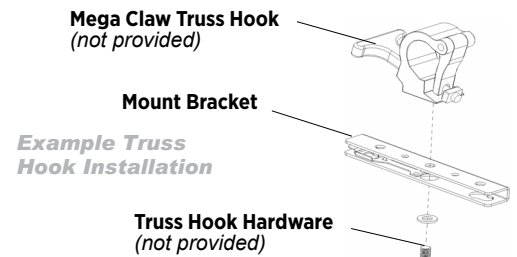


FIGURE 9: TRUSS HOOK



WARNING! Ensure that the bracket locking mechanism is fully seated after the bracket is installed on the luminaire. **AVERTISSEMENT:** Assurez-vous que le mécanisme de support de verrouillage est complètement inséré après le support est installé sur l'appareil.

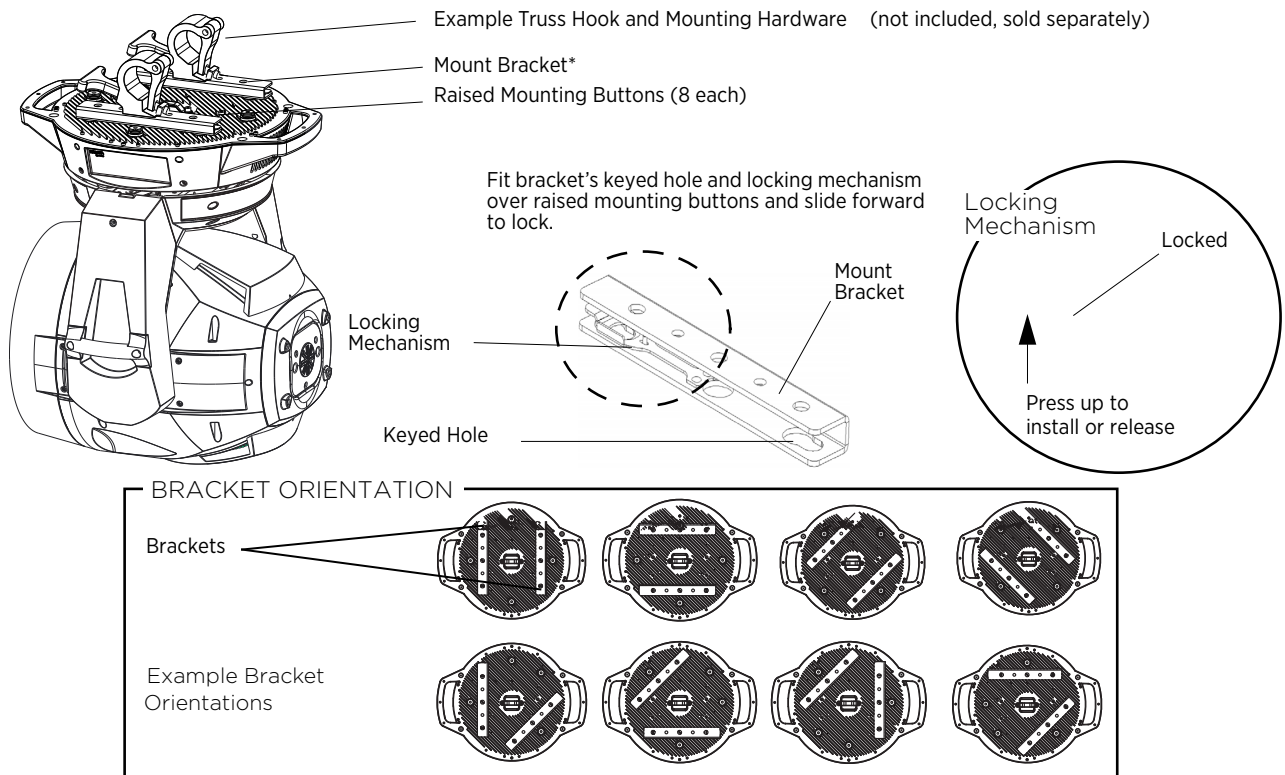

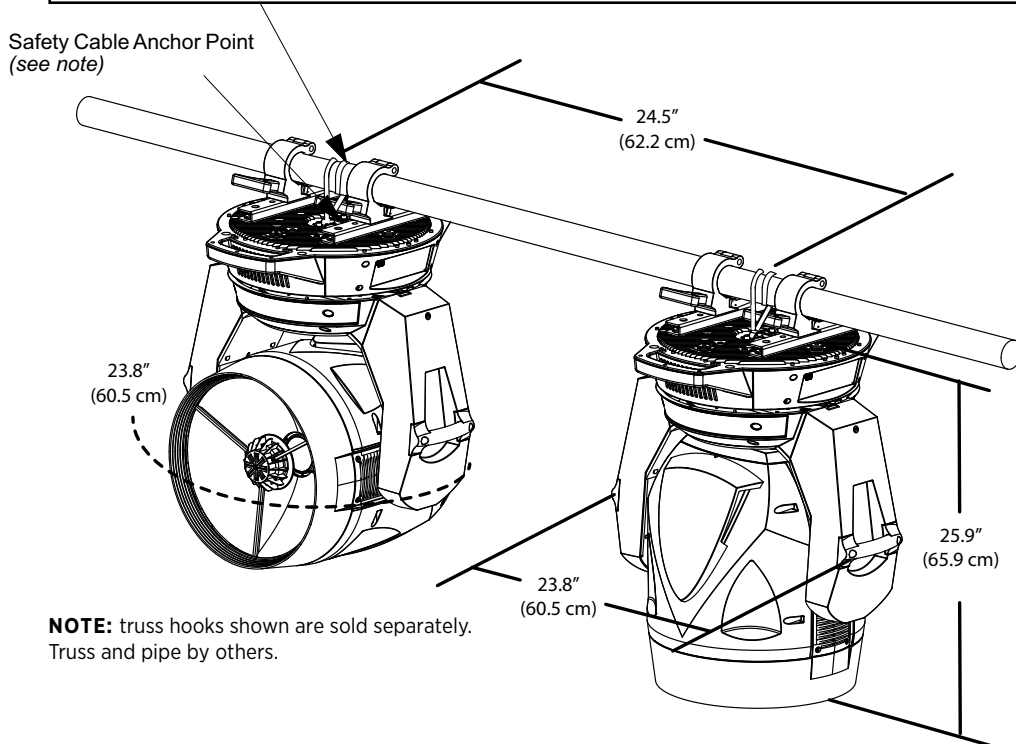


FIGURE 10: INSTALLING BRACKETS ON LUMINAIRE ENCLOSURE

Installing in Truss:

- Step 1. Using two people, lift luminaire into mounting position.
- Step 2. Secure in place with truss hook. Ensure truss hook hardware that locks hook in place (e.g. wing bolt) is properly tightened and that luminaire is fully supported.
- Step 3. Attach safety cable (as required) as follows (refer to [Figure 11](#)):
 - a. Loop safety cable at least once around safety cable anchor point rod.
 - b. Loop safety cable at least once around truss/pipe and secure around pipe.

 Safety Cable: Recommended for hanging installations. May be required by local codes. Safety cable is sold separately.
 Câble de sécurité: Recommandé pour les installations pendaison. Peut être exigé par les codes locaux. Câble de sécurité est vendu séparément.



NOTE: truss hooks shown are sold separately. Truss and pipe by others.

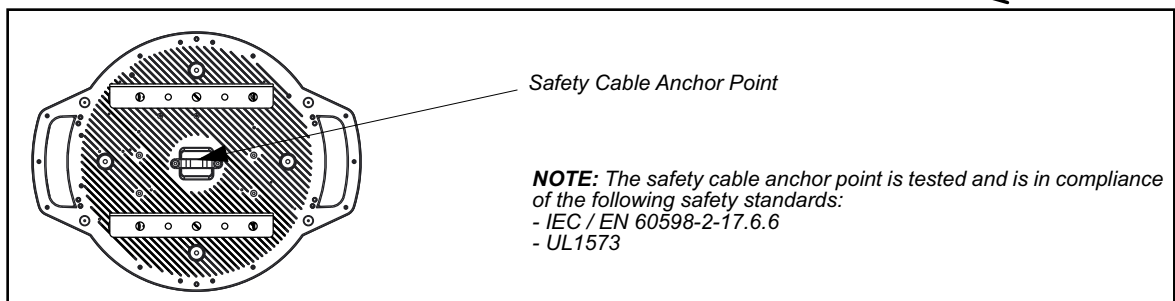


FIGURE 11: SAFETY CABLE INSTALLATION / LUMINAIRE HANGING

- Step 1. Make sure tilt and pan locks are disengaged so luminaire moves freely.
- Step 2. Connect power and data cables according to procedure given in ["Connecting Data"](#) on page 7.

When hanging the luminaire in a side hang position, orient the enclosure as shown in [Figure 12](#). Natural convection and the designed direction of the inlet and exhaust cooling fans dictate that the inlet should be closest to the floor and the exhaust should be towards the ceiling. This eliminates the possibility of one luminaire blowing exhaust air into the inlet of the luminaire next to it when the luminaires are side-by-side.

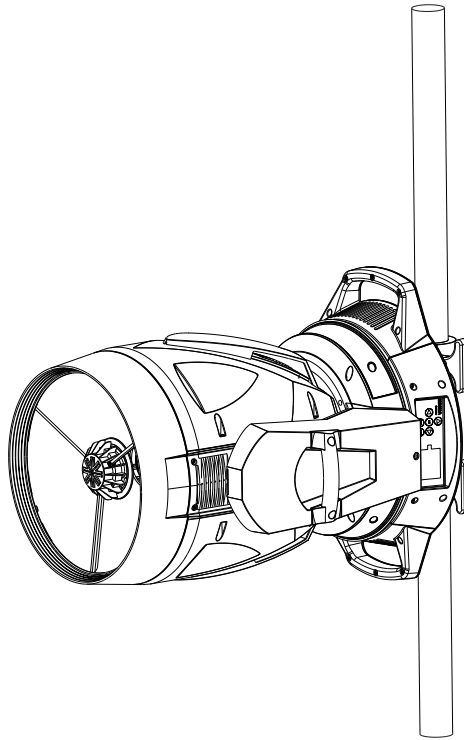


FIGURE 12: SIDE HANG ORIENTATION

If the luminaires are stacked on top of one another in a side hang, a 45° enclosure orientation with the fan inlet closest to the floor is preferred. Refer to [Figure 13](#).

These two orientations in a side hang have the extra benefit of a stiffer pan interface in the luminaire.

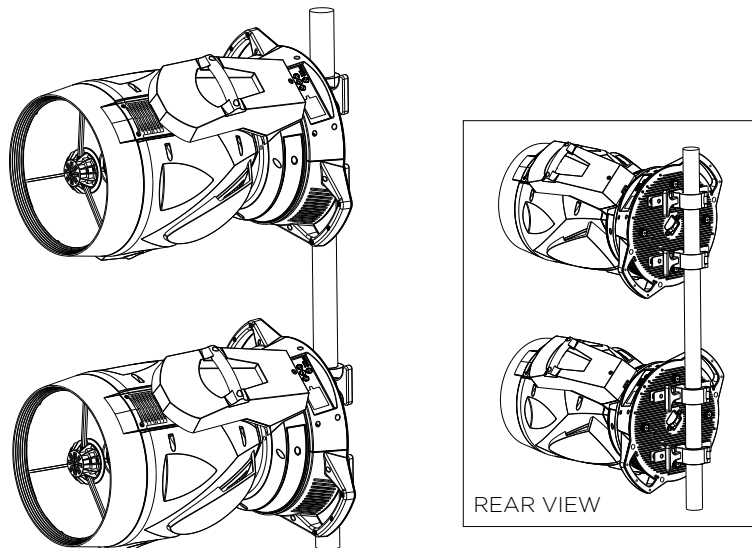


FIGURE 13: DUAL FIXTURE SIDE HANG ORIENTATION

MENU OPERATION

1. LCD DISPLAY AND MENU SYSTEM

The VL6000's LCD Display and Menu System provides local control for accessing the following fixture's settings:

- Address - to set the DMX address
- Configure - various parameter settings, set luminaire ID
- Fixture - fixture status, recalibrate, reboot, software version, view fixtures hours, etc.
- DMX - change the map, set address, invert pan/tilt
- Service - password protected factory service menu
- Manual - manual control of parameters
- Test - test functions of parameters

The menu system is controlled at the Menu Display available at the enclosure input panel. If there are multiple luminaires in a system, any settings or changes would need to be made at each LCD Menu as desired.

2. MENU CONTROLS

The menu system is controlled by an OK (Enter), ESC (Escape), and four Arrow (<△▽▷) buttons. These buttons function are shown in [Figure 14](#).

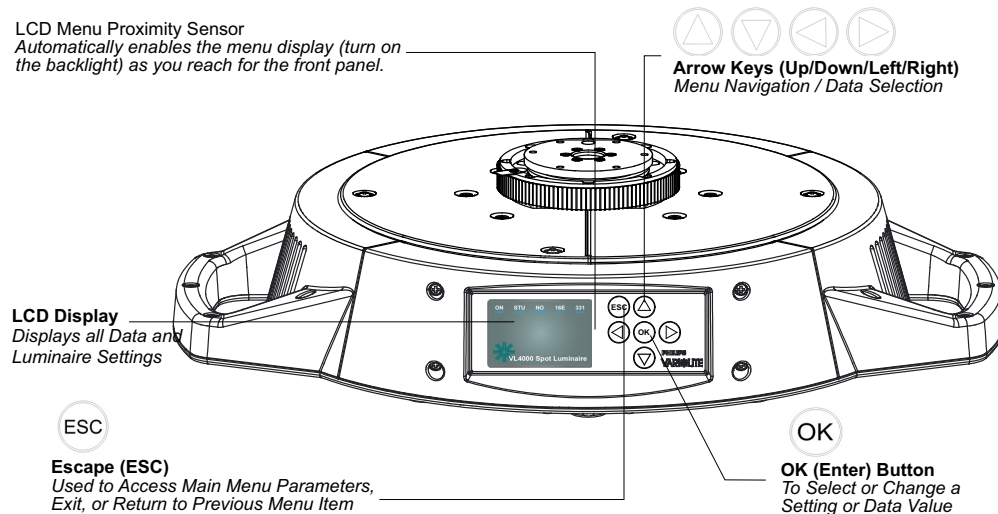


FIGURE 14: MENU CONTROL

LCD DISPLAY AND MENU SYSTEM OPERATION

The LCD Display Menu system consists of several categories. Use the Menu Buttons to access and make changes to the menu items. When the desired menu item is reached, press the desired Menu Button to display the menu options and to navigate and configure the menu options as required.

To navigate and access menu settings/selections:

- Step 1. Make sure unit is powered and turned on.
- Step 2. Press [ESC] to access menu categories.
- Step 3. Use four Arrow (<△▽▷) buttons to navigate through the various options and settings.
- Step 4. Once menu item is reached, press OK [Enter] to access the menu item parameters.
- Step 5. Make changes to parameters as desired.
- Step 6. Press OK [Enter] button to accept changes.

DMX ADDRESS

To set, edit, and save a DMX address:

- Step 1. Press [ESC].
- Step 2. Press [Up] / [Down] arrows until ADDRESS (DMX Address) appears. Press OK [Enter].
- Step 3. Use [Left] and [Right] arrow buttons to scroll through all digits.
- Step 4. Once at desired digit, use [Up] and [Down] arrows to change highlighted digit.
- Step 5. Once digit is set, use [Left] and [Right] arrow buttons to set other digits in DMX address.
- Step 6. Once all digits are set in DMX address, press OK [Enter] to set.
- Step 7. DMX will display and is saved.

3. OTHER LCD DISPLAY FEATURES

LCD MENU BATTERY OPERATION

The LCD menu system utilizes a battery powered system for operation when the luminaire is not connected to power. The primary purpose of this mode is to allow basic setup and configuration of the luminaire.

To enable the battery operation of the menu system:

- Step 1. Press and hold [ESC] and [OK] for two seconds.
- Step 2. Once enabled, the menu will function as normal with only the following sub-menu sections active:
 - ADDRESS
 - CONFIGURE
 - SETUP
 - DMX
 - FIXTURE

NOTE: Any commands that require full power (calibrate, lamp strike, etc.) will be ignored while the menu system is in battery operation mode.

- Step 3. To exit battery mode, press and hold [ESC] and [OK] for two seconds. Note, luminaire will automatically exit this mode after one minute of inactivity.

STATUS BAR

The Status Bar (as illustrated in [Figure 15](#)) is present at all times and displays luminaire operational information of the luminaire. The Status Bar contains the following information:

- **LAMP** - indicates current lamp state - ON or OFF.
- **SHDN** - indicates shutdown time in hours. **NO** indicates no shut-down time. **ERRORS** - Displays a number indicating the total amount of current errors; can cycle through short text descriptions of each error. Example: "Pan" or "Gobo1". When errors are present, messages will appear in red text. When no errors are present, **NO** will display.
- **ADDR** - Displays the current DMX address for the fixture. NOTE, when the fixture does not detect a DMX input signal, the DMX address text will display in red text.

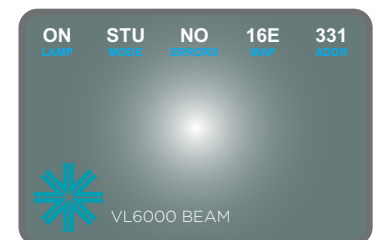


FIGURE 15: LCD DISPLAY

LCD MENU PROXIMITY SENSOR

The LCD menu system uses a proximity sensor to automatically enable the menu display (turn on the backlight) as you reach for the front panel. If the display is off, it will turn on when your hand is within a few inches of the display. Note, when the luminaire is not connected to power and the LCD menu is operating on battery, this proximity sensor is disabled.

QUICK REFERENCE DMX MAP

The summary list for the 16-Bit Mode DMX map is as indicated below.

| DMX CHANNEL | DESCRIPTION | | DMX CHANNEL | DESCRIPTION |
|-------------|-----------------------|--|-------------|-----------------------|
| 1 | Intensity | | 13 | Color Wheel 3 |
| 2, 3 | Pan | | 14 | Color Wheel 3 Control |
| 4, 5 | Tilt | | 15 | Gobo Wheel 1 |
| 6 | Edge | | 16, 17 | Gobo 1 Rot/Index |
| 7 | Color Wheels Presets | | 18 | Gobo Wheel 1 Control |
| 8 | Color Transition | | 19 | Iris |
| 9 | Color Wheel 1 | | 20 | Frost |
| 10 | Color Wheel 1 Control | | 21 | Strobe Speed |
| 11 | Color Wheel 2 | | 22 | Strobe Control |
| 12 | Color Wheel 2 Control | | 23 | Luminaire Control |

NOTES

TECHNICAL SUPPORT

GLOBAL 24HR TECHNICAL SUPPORT:

Call: +1 214 647 7880
entertainment.service@signify.com

NORTH AMERICA SUPPORT:

Call: 877-VARI-LITE (877-827-4583)
entertainment.service@signify.com

EUROPEAN CUSTOMER SERVICE CENTER:

Call: +31 (0) 543 542 531
entertainment.europe@signify.com

©2023 Signify Holding. All rights reserved.

All trademarks are owned by Signify Holding or their respective owners. The information provided herein is subject to change, without notice. Signify does not give any representation or warranty as to the accuracy or completeness of the information included herein and shall not be liable for any action in reliance thereon. The information presented in this document is not intended as any commercial offer and does not form part of any quotation or contract, unless otherwise agreed by Signify. Data subject to change.

vls_copyright