

Spikie⁺®

ROBE®

Spikie[®]

WASH
BEAM

60 W
RGBW LED
+ 25% OUTPUT

ZOOM
4° – 28°

CONTINUOUS
PAN & TILT
ROTATION

MULTI-COLOURED
FLOWER
EFFECT

SUPER
FAST
MOVEMENT

BEAM
SPLITTER

SMALL
COMPACT
LIGHTWEIGHT



Retaining the fast-moving, compact design of the original, the new Spikie+ generates 25% more lumen output from its single 60W RGBW source, giving you even more impact!



With a 110mm specifically designed front lens, Spike+ rapid moving zoom produces beams from a tight, sharp 4-degree out to a soft wide 28-degree wash.

Spikie+ creates visual splendour with our Robe patented MCFE™ - Multi-Coloured Flower Effects - creating sharp multicoloured spikes of light, rotating bi-directionally with variable speed.

The unique Beam Effects Engine transforms the output into three piercing rays of narrow beams, while continuous pan and tilt movement creates another layer of dynamism to the show.

Colour management includes CMY or RGBW mixing modes; a variable CTO from 2.700K to 8.000K; Tungsten lamp thermal delay/red shift effects with whites at 2.700K or 3.200K.

Small and compact, weighing just 7.3 kg, Spikie+ permits rigging at any angle, is supplied with one Omega bracket and is available in cardboard, single, quad or eight-pack cases.

Source

- Light source type: 60W RGBW LED
- LED life expectancy: min. 20.000 hours
- Typical lumen maintenance: 70% @ 20.000 hours

Optical System

- Robe's proprietary optical design
- High-efficiency zoom optical system, ratio 7:1
- Zoom range: 4°-28°
- Output lens diameter: 110 mm
- Illuminance: 11.000 lx @ 5m
- Fixture total lumen output: 1.550 lm (integrating sphere)
1.250 lm (goniophotometer)

Dynamic Effects

- Colour mixing mode RGBW or CMY
- Variable CTO: 2.700K-8.000K
- Virtual Colour Wheel: with 66 preset swatches
- Tungsten lamp effect at whites: 2.700 K and 3.200 K (red shift and thermal delay)
- Colour rainbow effect with variable speed
- Prism: 3-facet circular rotating prism
- MCFE™ - Multi-Coloured Flower Effects – creating spectacular multicolour beam effects in the air rotating in both directions at variable speed (Patented)
- Motorized zoom
- Shutter: Electronic with variable speed strobe (max.20 flashes per second)
- Pre-programmed random strobe & pulse effects
- High resolution electronic dimming: 0-100%

Control and programming

- Setting & Addressing: two-row LCD display & 4 control buttons, stand-alone operation with 3 editable programs (each up to 40 steps)
- Protocols: USITT DMX-512, RDM
- Wireless CRMX™ technology from Lumen Radio - on request
- DMX Protocol modes: 2

- Control channels: 27, 21
- Pan & Tilt resolution: 16 bit
- RGBW / CMY: 8 or 16 bit
- Zoom: 8 or 16 bit
- Dimmer: 8 or 16 bit (internal 18 bit)

Movement

- Pan movement range 540° with continuous rotation control
- Tilt movement range 360° with continuous rotation control
- Movement control: Standard and Speed
- Controllable speed of Pan & Tilt movement
- Automatic Pan & Tilt position correction

Thermal Specification

- Maximum ambient temperature: 45 °C (104 °F)
- Maximum surface temperature: 70 °C (158 °F)
- Minimum operating temperature: -5 °C (23 °F)
- Total heat dissipation: max. 340 BTU/h (calculated)

Electrical Specification

- Power supply: Electronic auto-ranging
- Input voltage range: 100-240 V, 50/60 Hz
- Power consumption: Max. 100 W at 230 V / 50 Hz
- Power connector in/out: Neutrik powerCON TRUE1 in/out
- DMX and RDM data in/out: Locking 5-pin XLR

Approvals

- CE Compliant
- cETLus Compliant

Mechanical Specification

- Height: 408 mm (16.1") – head in vertical position
- Width: 277 mm (10.9")
- Depth: 147 mm (5.8")
- Weight: 7.3 kg (16.1 lbs)
- Ingress protection rating: IP20

Rigging

- Mounting positions: Horizontally or vertically
- Universal operating position
- Mounting points: 1 pair of 1/4-turn locking points
- 1x Omega adaptor with 1/4-turn quick locks
- Safety cable attachment point

Included Items

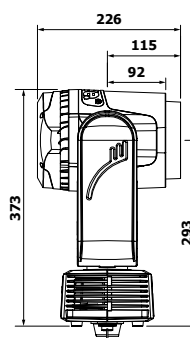
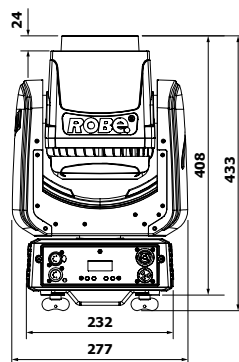
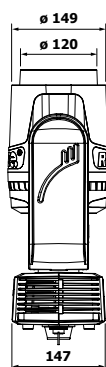
- User Manual
- Omega Adaptor CL-regular

Optional Accessories

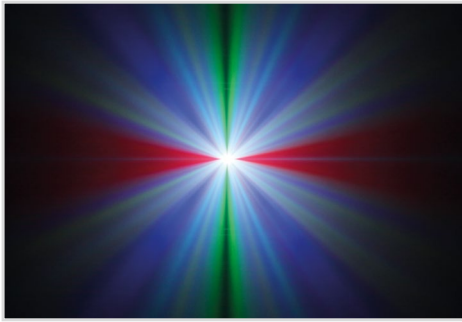
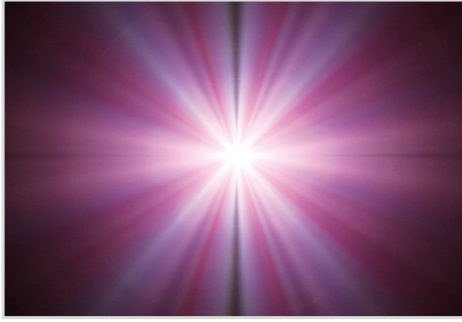
- Wireless DMX external module: 10980127
- Doughty Trigger Clamp: 17030386
- Safety wire 36 kg: 99011963
- Mains Cable powerCON TRUE1 In/Schuko, 2m, Indoor: 13052405
- Mains Cable powerCON TRUE1 In/US, 2m, Indoor: 13052406
- Mains Cable powerCON TRUE1 In/CEE 16A, 2m, Indoor: 13052445
- Mains Cable powerCON TRUE1 In/Open ended, 2m, Indoor: 13052407
- Daisy Chain powerCON TRUE1 In/Out, EU, 2m, Indoor: 13052439
- Daisy Chain powerCON TRUE1 In/Out, US, 2m, Indoor: 13052440
- Daisy Chain powerCON TRUE1 In/Out, EU, 5m, Indoor: 13052444
- Single Top Loader Case: 10120193
- Quad Top Loader Case: 10120203
- Eight Pack Top Loader Case: 10120198
- Foam Shell: Quad Foam shell 20020278
- Spikie/MotionCamera Single Foam Shell: 20020321

Legal

- Spikie+® is a registered trademark of Robe lighting s.r.o.
- Spikie+® is patented by Robe lighting s.r.o. and protected by one or more pending or issued patents



Multi-Coloured Flower Effect



MCFE™ - Multi-Coloured Flower Effect

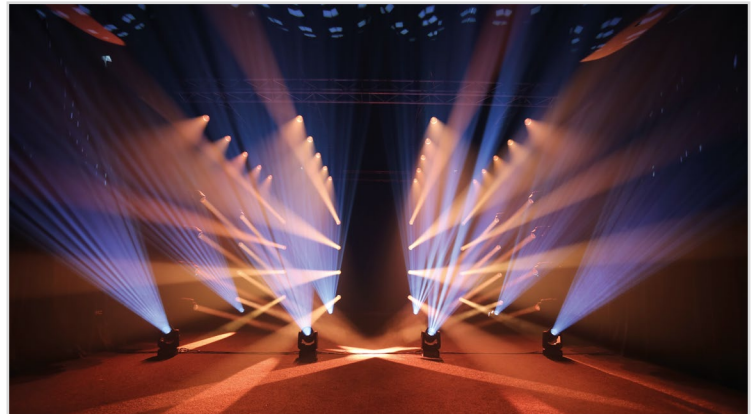
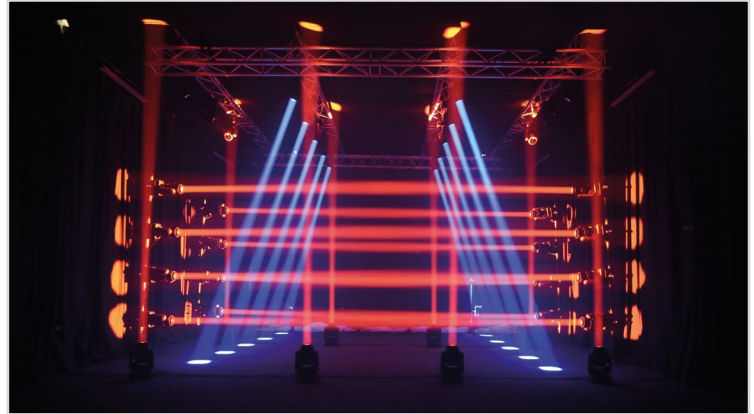
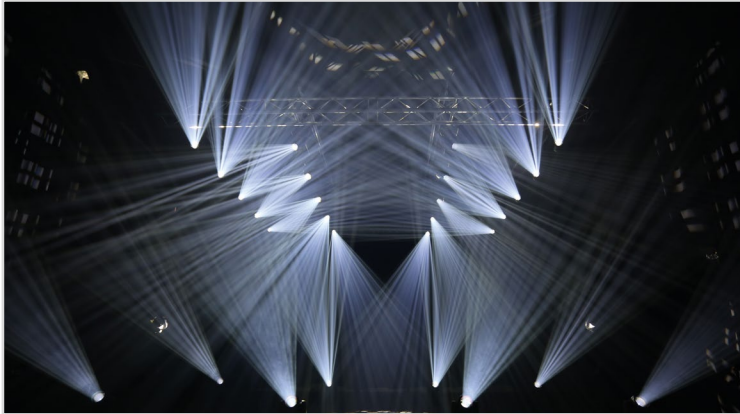
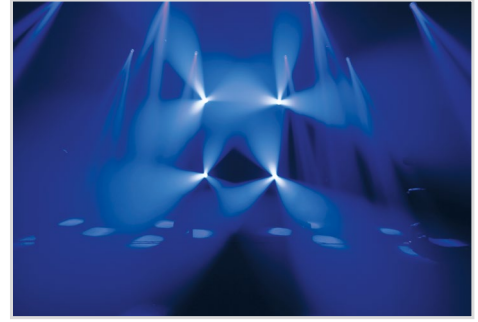
The innovative MCFE™ - Multi-Coloured Flower Effect creates sharp colourful spikes of light, rotating in both directions at variable speed (Patented).



Beam Effect Engine

A unique Beam Effect Engine transforms the output into a dynamic ray of three narrow beams, creating another new visual effect to the show.

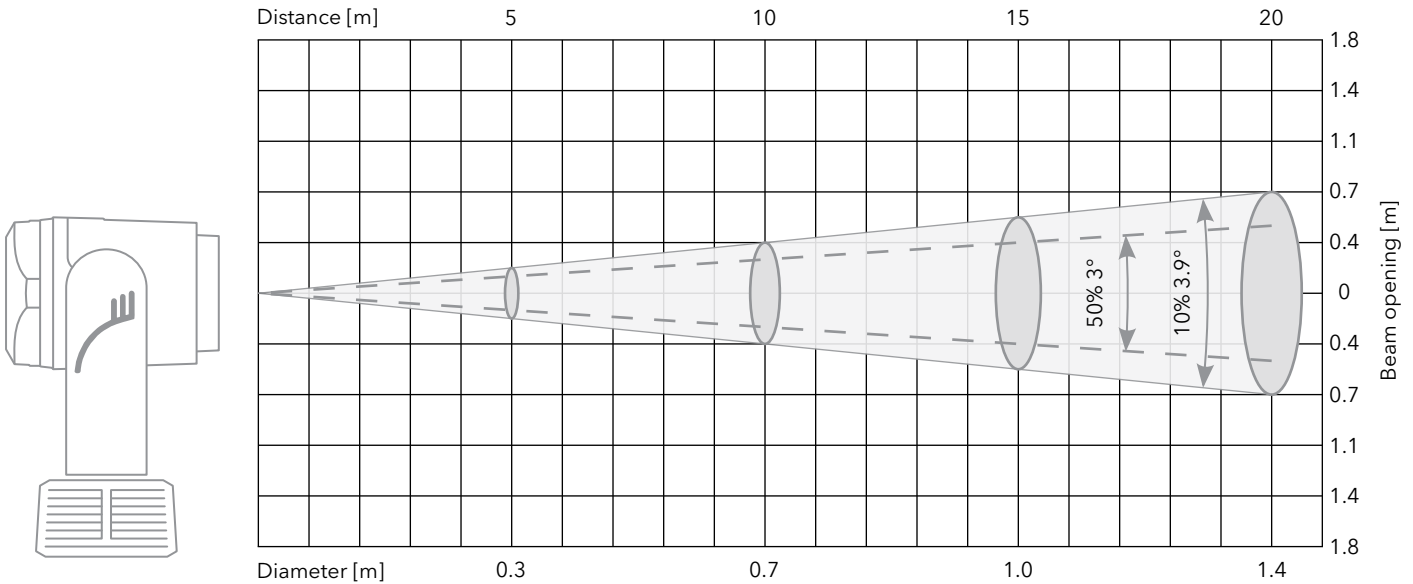
Beam Effect



Photometric report

Beam angle 3.9° - Min. zoom, WP off

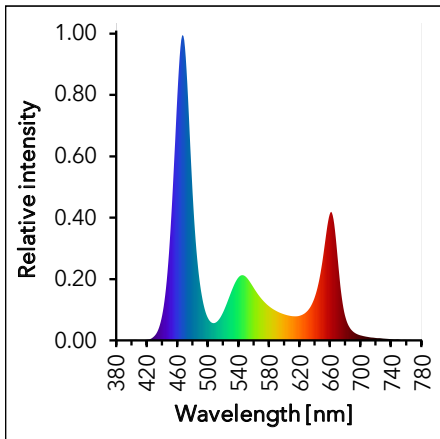
Beam angle	Total lumen output (integrating sphere)	Total lumen output (goniophotometer)	Peak candela	Power
3.9°	841 lm	801 lm	272500 cd	101 W



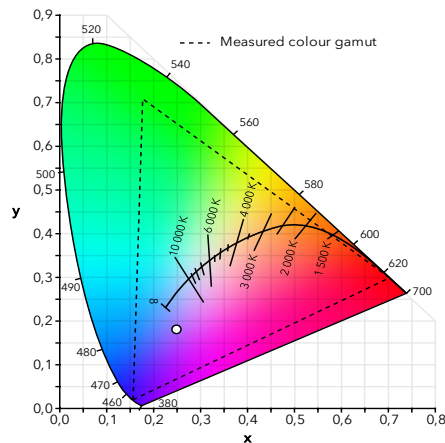
Center beam intensity [lx]/[fcd]; Total lumen output [lm] measured by goniophotometer

Distance	5 m	8 m	10 m	12 m	16 m	20 m	24 m	Total lumens
R+G+B+W	10900/1013	4258/396	2725/253	1892/176	1064/99	681/63	473/44	801
Red	2039/189	796/74	510/47	354/33	199/18	127/12	88/8	150
Green	3706/344	1448/134	927/86	643/60	362/34	232/22	161/15	272
Blue	733/68	286/27	183/17	127/12	72/7	46/4.3	32/3	54
White	5215/484	2037/189	1304/121	905/84	509/47	326/30	226/21	383

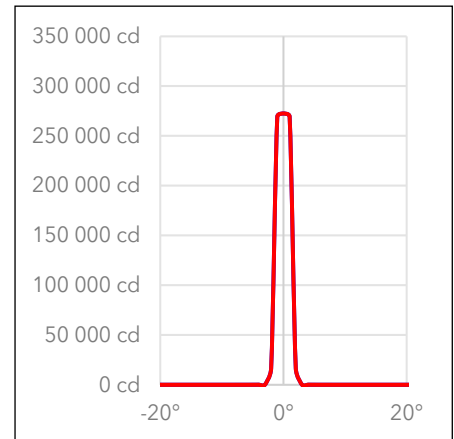
Spectrum



CIE 1931 color space gamut



Light distribution



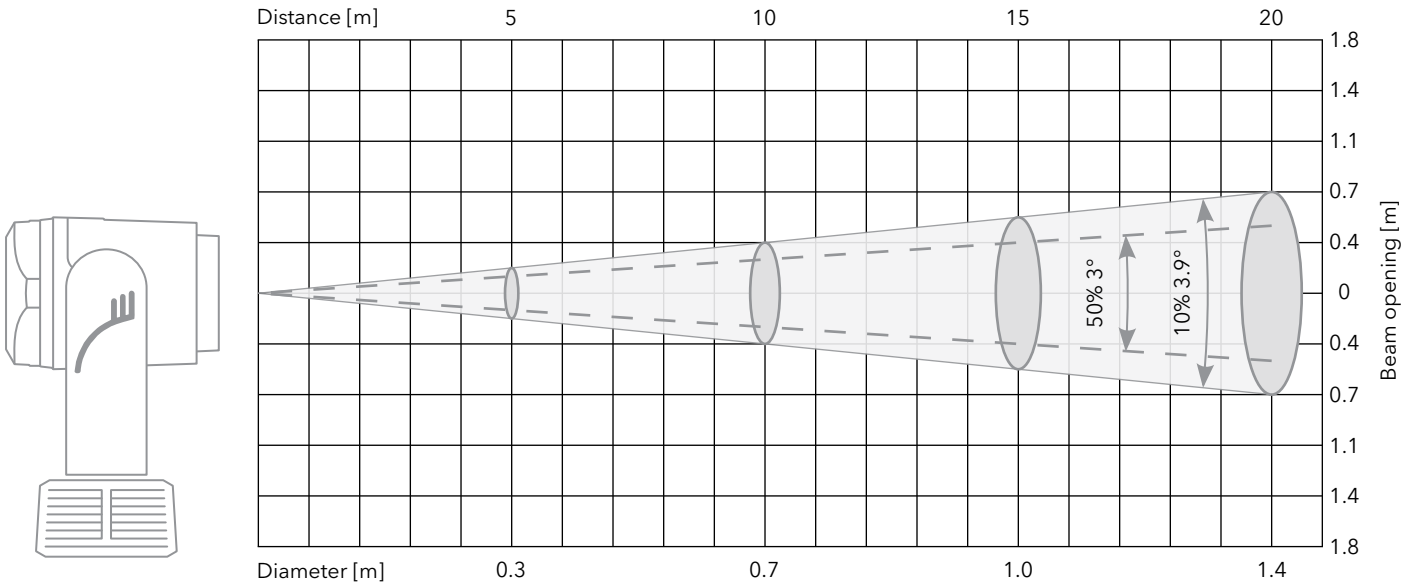
Color temperature	CCT	N/A
Color Deviation from Black	Duv	N/A
Color Coordinate CIE 1931	x	0.2480
	y	0.1807
Color Coordinate	u	0.2123
	v	0.2321

Color rendering index	CRI	N/A
Red component	CRI R9	N/A
Color fidelity	TM30 Rf	N/A
Color gamut	TM30 Rg	N/A
Television consistency Index	TLCI	N/A

Photometric report

Beam angle 3.9° - Min. zoom, WP on

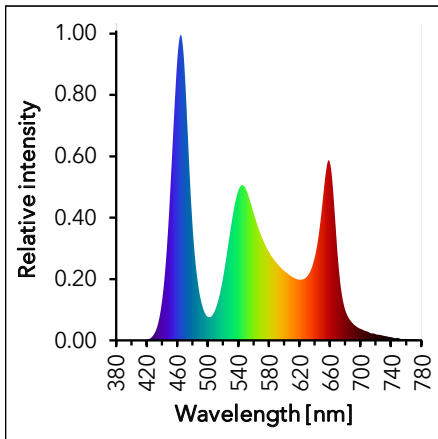
Beam angle	Total lumen output (integrating sphere)	Total lumen output (goniophotometer)	Peak candela	Power
3.9°	685 lm	652 lm	221875 cd	97 W



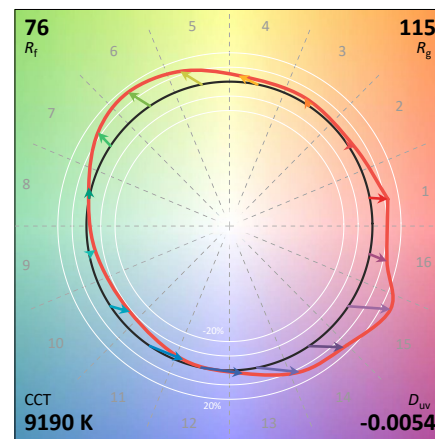
Center beam intensity [lx]/[fcd]; Total lumen output [lm] measured by goniophotometer

Distance	5 m	8 m	10 m	12 m	16 m	20 m	24 m	Total lumens
R+G+B+W	8875/824.5	3466.8/322.1	2218.8/206.1	1540.8/143.1	866.7/80.5	554.7/51.5	385.2/35.8	652
Red	1661/154.3	648.8/60.3	415.3/38.6	288.4/26.8	162.2/15.1	103.8/9.6	72.1/6.7	122
Green	3017/280.3	1178.5/109.5	754.3/70.1	523.8/48.7	294.6/27.4	188.6/17.5	130.9/12.2	222
Blue	597/55.5	233.2/21.7	149.3/13.9	103.6/9.6	58.3/5.4	37.3/3.5	25.9/2.4	44
White	4246/394.5	1658.6/154.1	1061.5/98.6	737.2/68.5	414.6/38.5	265.4/24.7	184.3/17.1	312

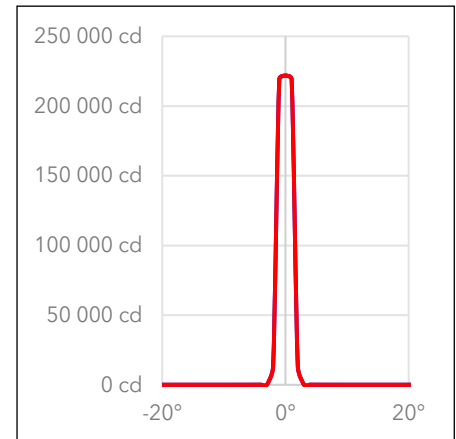
Spectrum



TM-30



Light distribution



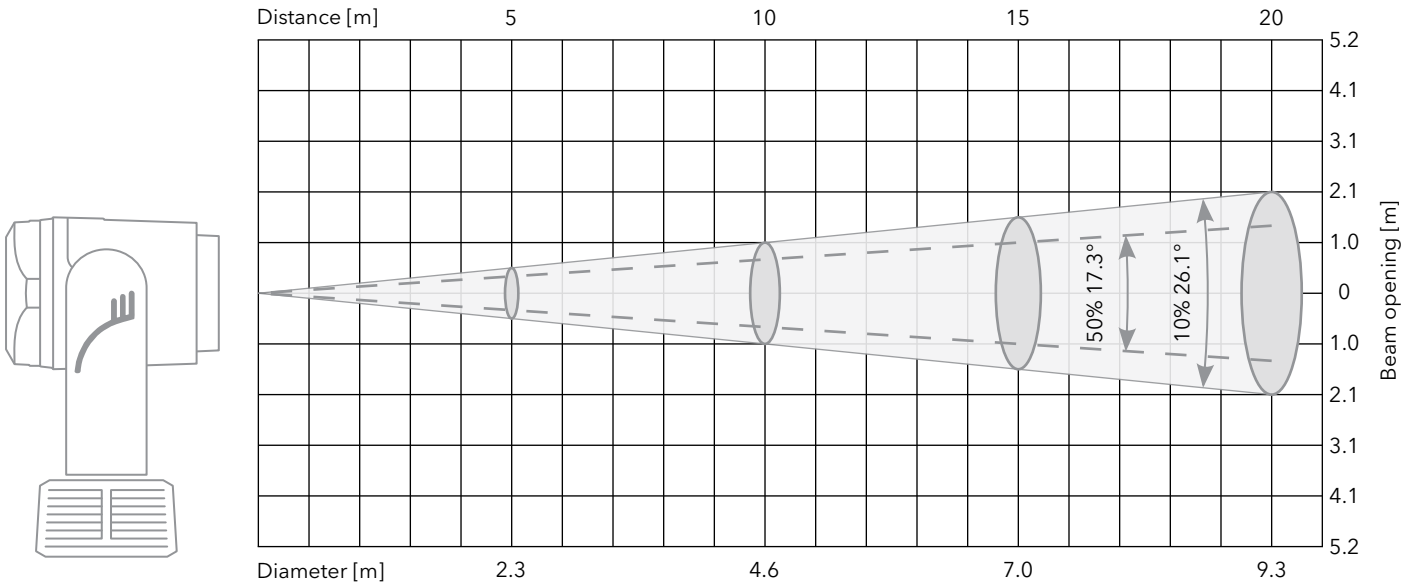
Color temperature	CCT	9190
Color Deviation from Black	Duv	-0.0054
Color Coordinate CIE 1931	x	0.2886
	y	0.2874
Color Coordinate	u	0.1966
	v	0.2937

Color rendering index	CRI	74
Red component	CRI R9	5
Color fidelity	TM30 Rf	76
Color gamut	TM30 Rg	115
Television consistency Index	TLCI	72

Photometric report

Beam angle 26.1° - Max. zoom, WP off

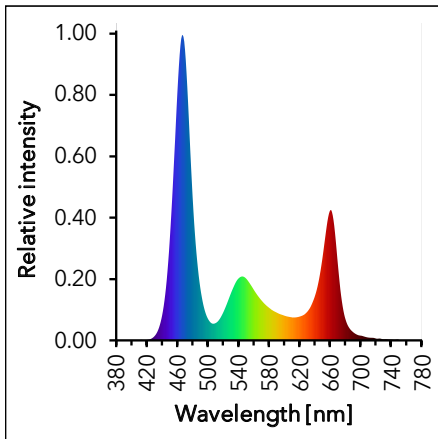
Beam angle	Total lumen output (integrating sphere)	Total lumen output (goniophotometer)	Peak candela	Power
26.1°	1508 lm	1206 lm	14100 cd	101 W



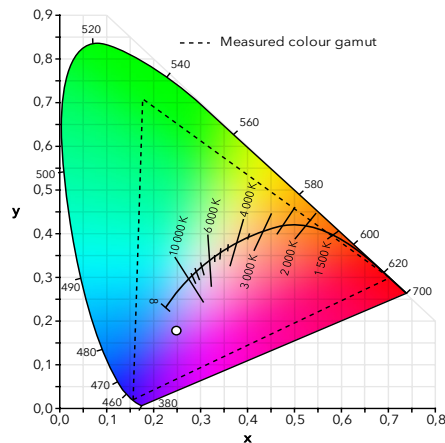
Center beam intensity [lx]/[fcd]; Total lumen output [lm] measured by goniophotometer

Distance	5 m	8 m	10 m	12 m	16 m	20 m	24 m	Total lumens
R+G+B+W	564/52	220/20	141/13	98/9	55/5	35/3.3	24/2.3	1206
Red	106/10	41/3.8	27/2.5	18/1.7	10/1	7/0.6	4.6/0.4	227
Green	192/18	75/7	48/4.5	33/3.1	19/1.7	12/1.1	8/0.8	411
Blue	38/3.5	15/1.4	10/0.9	7/0.6	3.7/0.3	2.4/0.2	1.6/0.2	81
White	270/25	105/10	68/6	47/4.4	26/2.4	17/1.6	12/1.1	577

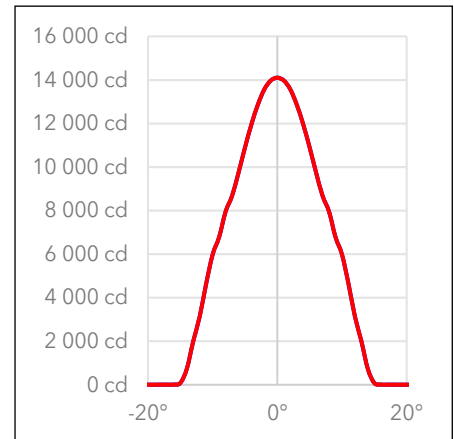
Spectrum



CIE 1931 color space gamut



Light distribution



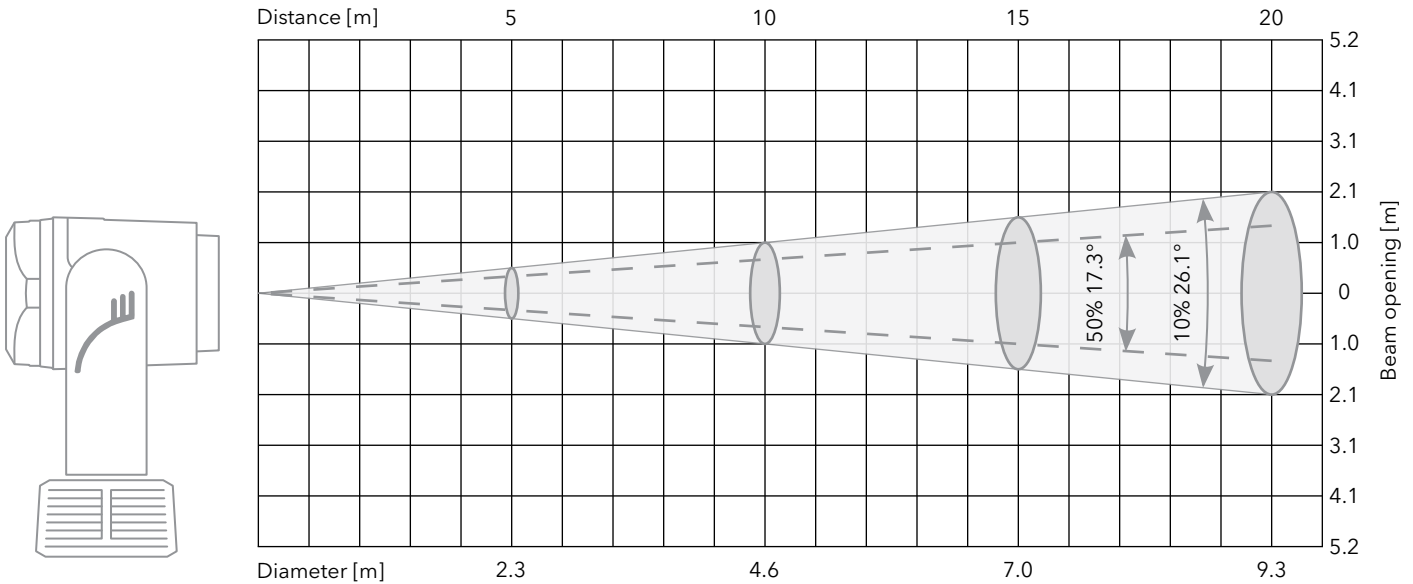
Color temperature	CCT	N/A
Color Deviation from Black	Duv	N/A
Color Coordinate CIE 1931	x	0.2479
	y	0.1779
Color Coordinate	u	0.2137
	v	0.2301

Color rendering index	CRI	N/A
Red component	CRI R9	N/A
Color fidelity	TM30 Rf	N/A
Color gamut	TM30 Rg	N/A
Television consistency Index	TLCI	N/A

Photometric report

Beam angle 26.1° - Max. zoom, WP on

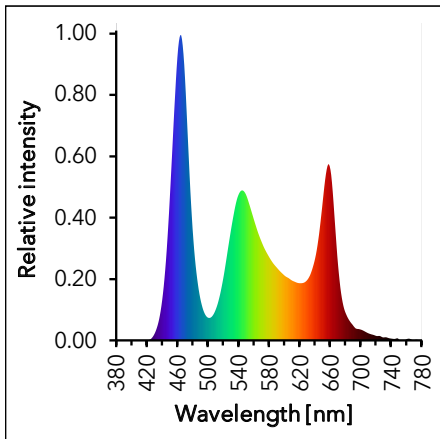
Beam angle	Total lumen output (integrating sphere)	Total lumen output (goniophotometer)	Peak candela	Power
26.1°	1211 lm	969 lm	11325 cd	97 W



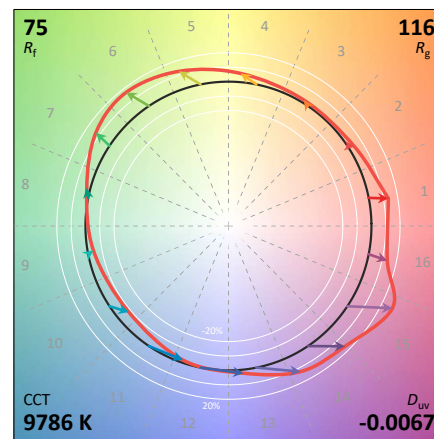
Center beam intensity [lx]/[fcd]; Total lumen output [lm] measured by goniophotometer

Distance	5 m	8 m	10 m	12 m	16 m	20 m	24 m	Total lumens
R+G+B+W	453/42.1	177/16.4	113.3/10.5	78.6/7.3	44.2/4.1	28.3/2.6	19.7/1.8	969
Red	85/7.9	33.2/3.1	21.3/2	14.8/1.4	8.3/0.8	5.3/0.5	3.7/0.3	182
Green	154/14.3	60.2/5.6	38.5/3.6	26.7/2.5	15/1.4	9.6/0.9	6.7/0.6	329
Blue	30/2.8	11.7/1.1	7.5/0.7	5.2/0.5	2.9/0.3	1.9/0.2	1.3/0.1	64
White	217/20.2	84.8/7.9	54.3/5	37.7/3.5	21.2/2	13.6/1.3	9.4/0.9	464

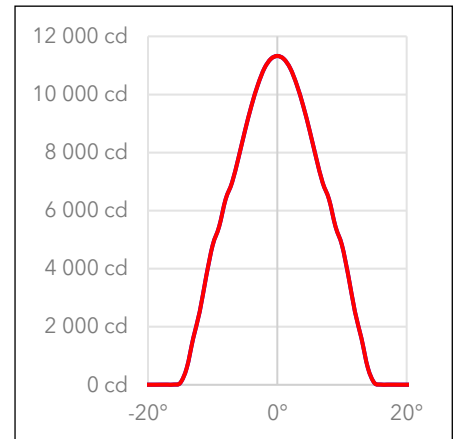
Spectrum



TM-30



Light distribution



Color temperature	CCT	9786
Color Deviation from Black	Duv	-0.0067
Color Coordinate CIE 1931	x	0.2858
	y	0.2819
Color Coordinate	u	0.1967
	v	0.2910

Color rendering index	CRI	73
Red component	CRI R9	-4
Color fidelity	TM30 Rf	75
Color gamut	TM30 Rg	116
Television consistency Index	TLCI	71

Spikie[®]+



ROBIN[®]
Innovative Technology

www.robe.cz

ROBE[®]

Head office: ROBE lighting s. r. o. | Házovice 2090 | 756 61 Rožnov pod Radhoštěm | Czech Republic

Factory: ROBE lighting s. r. o. | Palackého 416 | 757 01 Valašské Meziříčí | Czech Republic

Tel.: +420 571 751 500 | Fax: +420 571 751 515 | E-mail: robe@robe.cz

September 2022 © ROBE lighting s. r. o. All specifications subject to change without notice. Patents pending.