

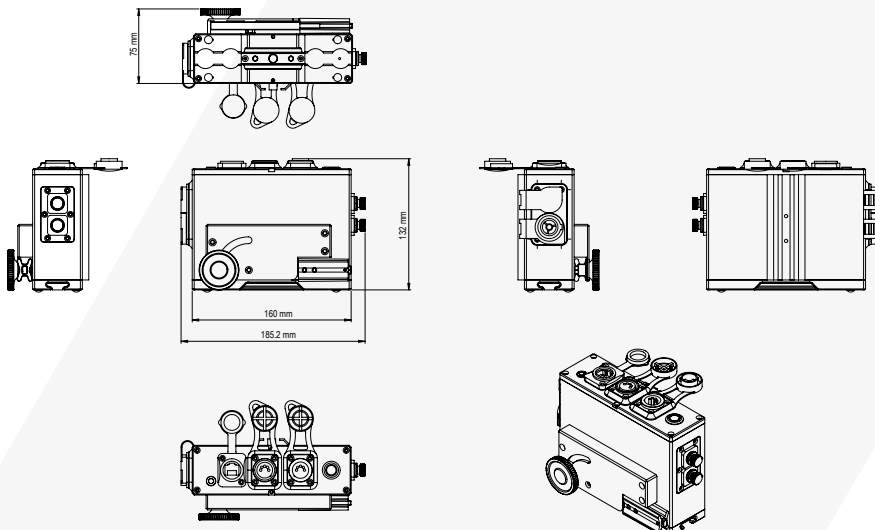


Charge or install 8 PixelBricks, 8 HydraPanels or 2 PlutoFresnels. Also allows wired data transfer from DMX, ART-Net and sACN sources. Comes with PowerCon AC cable. Power/Data Combination Cables sold separately.

SPECIFICATIONS

	PowerBox 2x86W
Order Code	PWB-2-86
AC Input	100-240 VAC, 50 / 60 Hertz, 1.8 A / 115 VAC, 1 A / 230 VAC
AC Connector	PowerCON TRUE1 IN / OUT
DC Output	2 x 24 V / 2 x 86 W
DC Connector	2 x DC Barrel (5.5 mm / 2.1 mm)
Data Input	XLR-DMX, ART-Net (1 Universe), sACN (1 Universe)
Data Output	DMX via 2 x DC sockets - DMX via 5-pin XLR
Data sockets	5-pin XLR IN / OUT, RJ45 input
Housing Material	Aluminium
IP Rating unwired	IP65 (only with PB15-PLG)
IP Rating wired with PWB-CAB-0.2/-1.5/-5/-10/-15	IP65
Weight	1.5 kg / 3.3 lbs
Dimensions (L x W x D)	185 mm x 132 mm x 75 mm / 7.3" x 5.2" x 3"
Mounting Options	Fold-out BrickConnect / 2 x M5 thread / 3/8" - 16 UNC thread / AirlineTrack

DRAWINGS



USE CASE

PowerBox in PixelBrick set



CHARGING & CONNECTING

RJ45 Socket for ART-Net or sACN

XLR DMX OUT

XLR DMX IN

AC power IN
PowerCON TRUE1

AC power OUT
PowerCON TRUE1



2 Sockets for DC Cables
with Power + Data



Power/Data
Cable



ACCESSORIES

**Waterproof
Protection Cover**
PB15-PLG



IP65 when connected with
PWB-2-86

Power/Data Cable
5m, 10 m, 15 m
PWB-CAB-5/-10/-15



IP65 when connected with
PWB-2-86

Power/Data Cable
1,5 m
PWB-CAB-1.5



IP65 when connected with
PWB-2-86

Power/Data Cable
0,2 m
PWB-CAB-0.2



IP65 when connected with
PWB-2-86