



# DATASHEET

# LAMP | SOCKET

Compatible with:  
FP5 NYX Bulb

Date: 01/28/21 Version: 1.0



Dummy socket which attaches a NYX Bulb to a PowerStation or Airline Tracks without powering it - works with E27 and E26 thread.

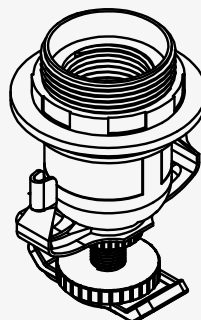
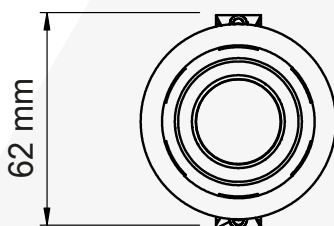
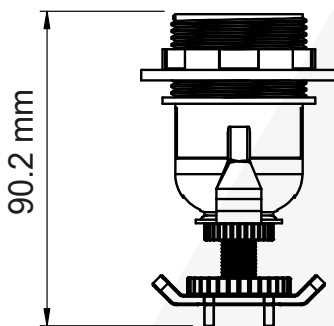
## LampSocket on PowerStation



## SPECIFICATIONS

Order Code Holder	FP5-E27S
Dimensions (mm/inch)	62 x 90.2 / 2.4 x 3.6
Weight (kg/lbs)	0.1 / 0.2
Material	Steel, PU

## DRAWINGS



## USE CASES

