



# Datasheet

# AX9 POWER | PAR



The AX9 utilizes the AX5's successful 3-in-1 concept which allows it to be used as wireless light and elegant upright as well as a wired PAR light for longer or bigger installations. This makes it an extremely cost-efficient light and keeps your investment to a minimum. The AX9 packs extreme brightness in a compact and light housing while still giving you industry-leading colors and white tones thanks to its Titan LED Engine.

## SPECIFICATIONS



Max 20h



Wireless DMX



IP65



App

Order Code	AX9
LED Engine	Titan LED Engine
Colors	RGBMintAmber
Total LED Power	105W
LED Power Draw	70W
Light output – 2700K, 3200K, 5500K*	2497 lm / 3008 lm / 2891 lm
Emittance @2m – 2700K, 3200K, 5500K*	9700 lx / 9900 lx / 9600 lx
CRI(Ra)/TLCI 3200-6500K*	≥96
Beam Angle	13°
Strobe	0 - 25Hz
Pixel	1
Battery Lifetime	70 % after 300 cycles
Battery Runtime	up to 20 hours
Charging Time (nominal)	5 hours
AC Input	100-240VAC, 50/60Hz, 2.3A/115VAC ~ 1.1A/230VAC 110W
Wired DMX	Yes
CRMX Receiver	Built in
Wireless Frequencies	CRMX 2.4GHz, UHF, Bluetooth
Range (m/yds)	300 / 330 (3/3,3 Bluetooth)
Housing Material	Aluminium
IP Rating	IP65
Ambient Temperature (°C/°F)	0° - 40° / 32° - 104°
Weight (kg/lbs)	5.66 / 12.5
Dimensions (mm/inches)	175 x 222 x 256 / 6.9 x 8.7 x 10.1

\*Typical value

## RF CHARACTERISTICS

Wireless Modules	EU: UHF (863-870MHz)	USA: UHF (917-922.20MHz)	AUS: UHF (922.30-927.50MHz)	SGP: UHF (920.50-924.50MHz)
Modulation	FHSS	FHSS	FHSS	FHSS
ERP (Transmitter)	<25mW	<25mW	<25mW	<25mW
Channel Count	47	53	53	41

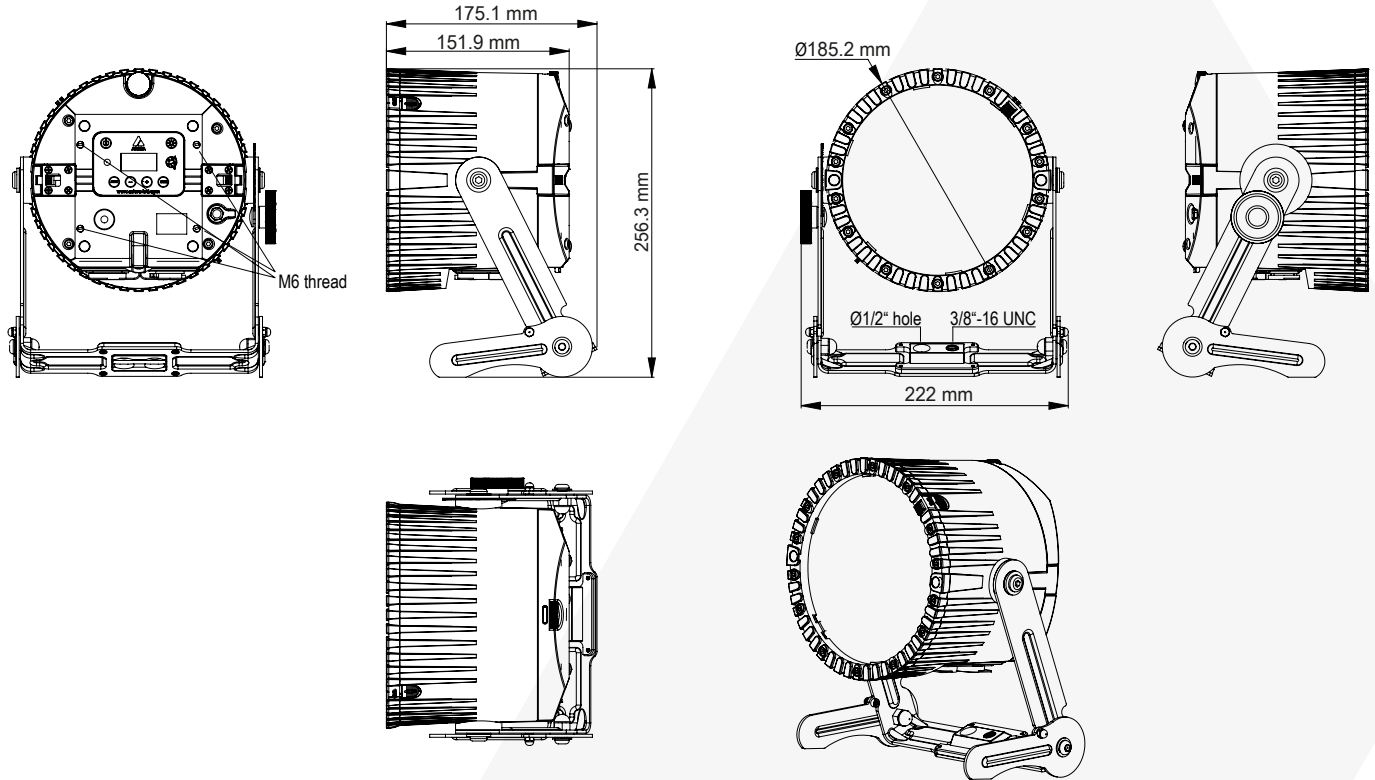
Wireless Modules	KOR: UHF (917.9-921.5MHz)	RUS: UHF (868.75-869.12MHz)	JPN: UHF (922.80-926.40MHz)	CRMX (2402-2480MHz)	Bluetooth 5.0 LE (2402-2480MHz)
Modulation	FHSS	FHSS	FHSS	FHSS	FHSS
ERP (Transmitter)	<25mW	<25mW	<25mW	-	10mW (BLE)
Channel Count	10	6	19	79	40

# BUILT-IN BLUETOOTH AND UHF TRANSMITTER

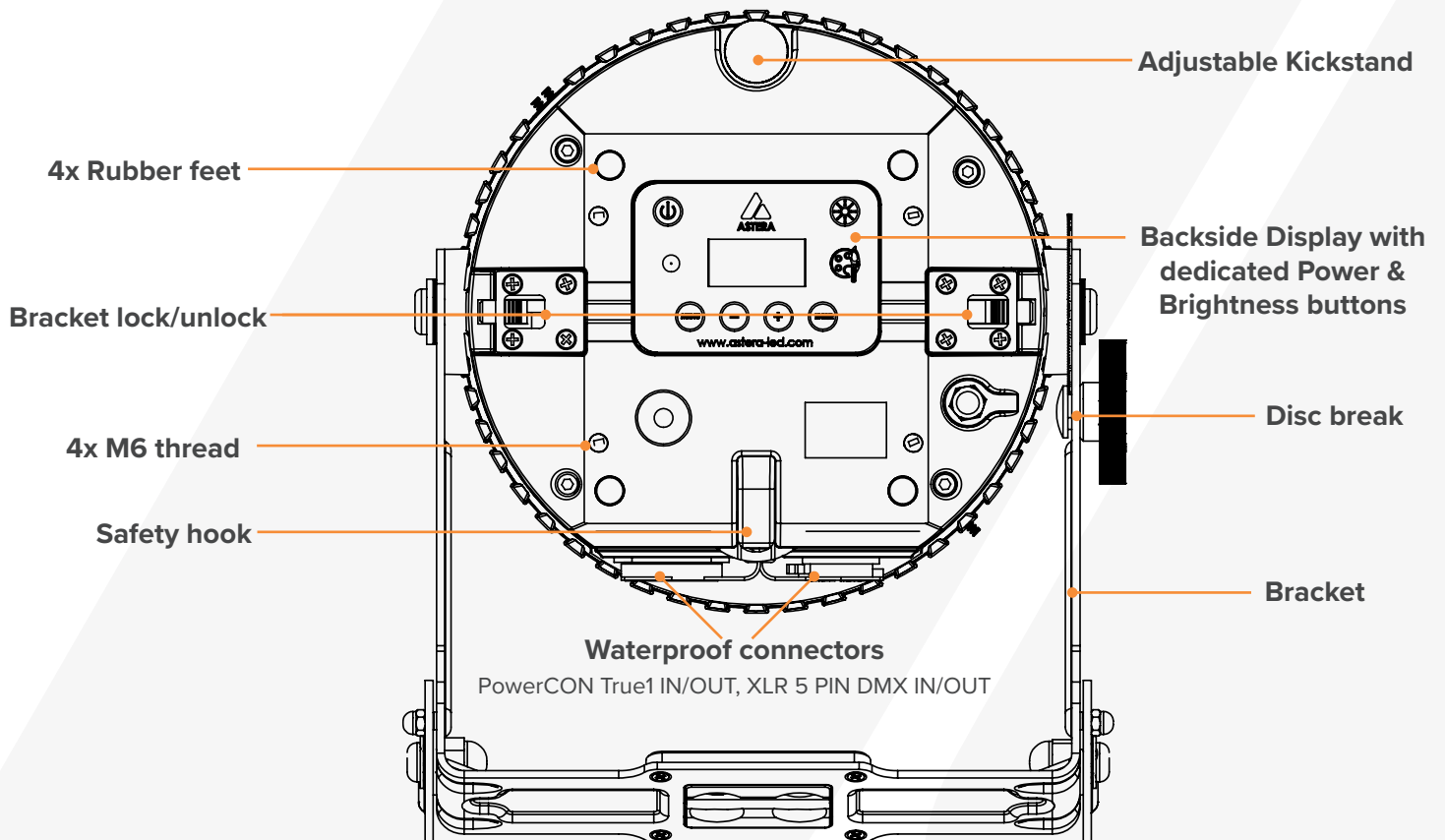
Connect directly to a AX9 PowerPAR via Built-In Bluetooth. This master light will revert AsteraApp commands to all other NYX Bulbs and other Astera lights via UHF band.



## DRAWINGS



## BACKSIDE AND BRACKET



# ACCESSORIES

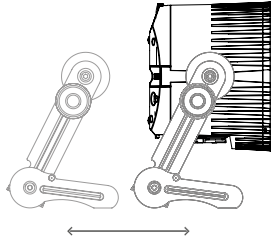
## AX9 Bracket AX9-STA



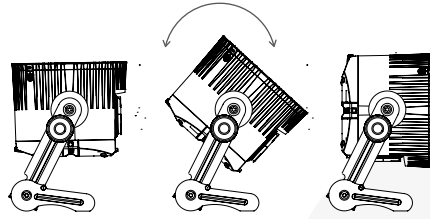
included

Dimensions (mm/inch):  
200 x 222 / 7.9 x 8.7  
Weight (g/lbs):  
808g / 1.8 lbs

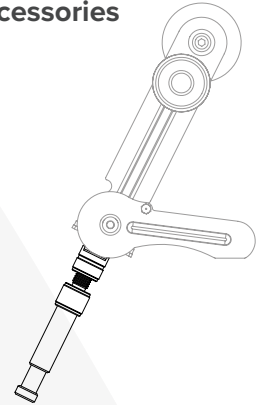
### Removeable



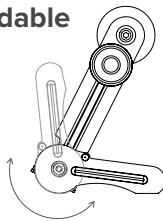
### Tiltable



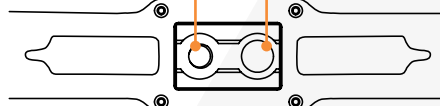
AirlineTrack on bottom  
for attaching mounting  
accessories



### Foldable



3/8"-16 UNC 1/2" hole



## Set of 8 FlexCovers Mirror or White

AX9-FLXCVR-MIR-8 / -WT-8



Dimensions (mm/inch):  
685 x 210 / 27 x 8.3  
Weight 1pc (g/lbs):  
64g / 0.14lbs

## AX9 wrapped with FlexCover



## EggCrate AX9-EGC



sample image

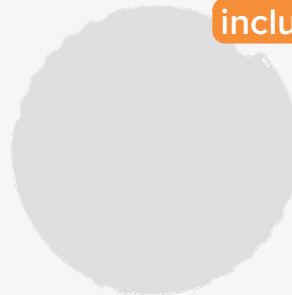
Dimensions (mm/inch):  
tba  
Weight (g/lbs):  
tba

## EggCrate on AX9 PowerPar



## Filters

included



**FloodFilter 32°**  
AX9-FF

included



**WallwashFilter 17°x46°**  
AX9-WWF

## TrackPin AX-TP



## BabyPin FP1-BLT



# TYPICAL SPECTRAS

